

Sanoasa multicenter

wedi Sanoasa *Libertà* | multicenter



Description	Packing unit	Order no.
wedi Sanoasa Libertà	1 unit	07-66-70/000

Options		
Pre-installed vapour barrier	1 unit	07-66-80/110
Exclusive shower panel	1 unit	07-64-00/106
Exclusive/Raindance 180 mm shower panel	1 unit	07-64-18/106
LED technology set of 4 lamps	1 unit	07-64-00/108
Fibre glass cable 50 fibres/light points	1 unit	07-64-00/109
Stainless steel cover plate for steam outlet nozzle	1 unit	60-05-02/002

! Delivery takes 6–7 weeks. The Sanoasa Multicenter is only suitable for use in homes and not in commercial properties.

i All Sanoasa multicenters can also be produced according to individual dimensions and design requirements.

👷 2 x labour

Sanoasa Libertà

- Ready-to-install wall and roof elements
- Fundo floor element inclusive of drain
- Steam technology: steam generator inc. pre-installed pipes
- Shower technology: fully pre-installed pipes for the hand shower
- Massage technology: fully pre-installed pipes for 4 massage jets
- Aluminium steam outlet nozzle
- Glass door with metal fittings and door knob

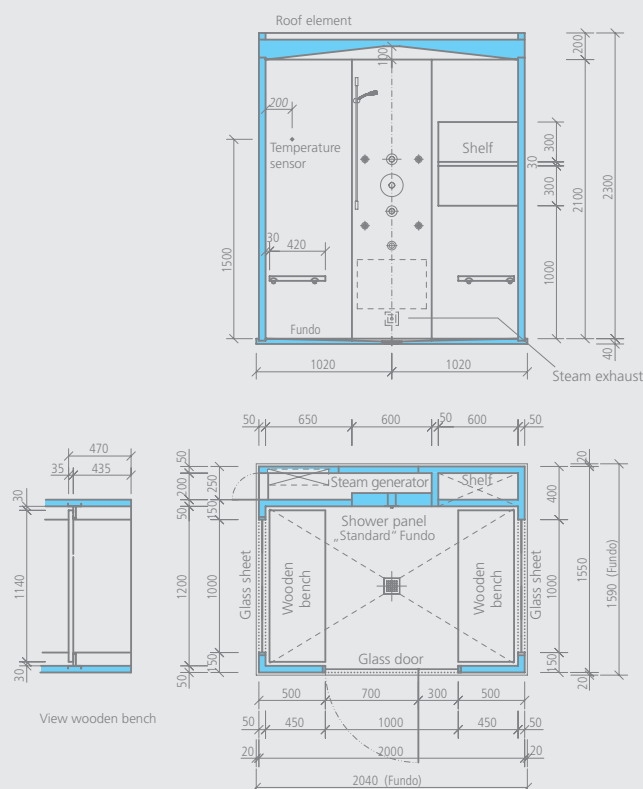
m² Sanoasa Libertà:

(Details plus tile cut-offs)

- Inside surface: approx. 7.80 m²
- External surface: approx. 9.50 m²
- Only rear panel: approx. 4.70 m²
- Floor: approx. 2.30 m²

- Inspection door
- hansgrohe pre-fabricated sets
- Coloured roof coating acc. to the RAL colour system
- 2 seating elements made of teak
- 2 glass walls including profile system
- 2 halogen lamps
- 2 loud speakers

Technical drawings



wedi Sanoasa *Esotica* | multicenter



Description	Packing unit	Order no.
wedi Sanoasa Esotica	1 unit	07-66-80/000

Options

Pre-installed vapour barrier	1 unit	07-66-80/110
Exclusive shower panel	1 unit	07-64-00/106
Exclusive/Raindance 180 mm shower panel	1 unit	07-64-18/106
LED technology set of 4 lamps	1 unit	07-64-00/108
Fibre glass cable 50 fibres/light points	1 unit	07-64-00/109
Stainless steel cover plate for steam outlet nozzle	1 unit	60-05-02/002

! • Delivery takes 6–7 weeks. The Sanoasa Multicenter is only suitable for use in homes and not in commercial properties.

i • All Sanoasa multicenters can also be produced according to individual dimensions and design requirements.

Sanoasa Esotica

- Ready-to-install wall and roof elements
- Fundo floor element inclusive of drain
- Steam technology: steam generator inc. pre-installed pipes
- Shower technology: fully pre-installed pipes for the hand shower
- Massage technology: fully pre-installed pipes for 4 massage jets
- Aluminium steam outlet nozzle
- Inspection door
- hansgrohe pre-fabricated sets
- Coloured roof coating acc. to the RAL colour system
- Tileable seating element
- Glass door with metal fittings and door knob
- 1 glass wall including profile system
- 2 halogen lamps
- 1 loud speaker

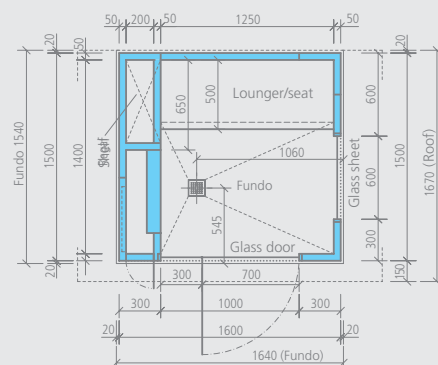
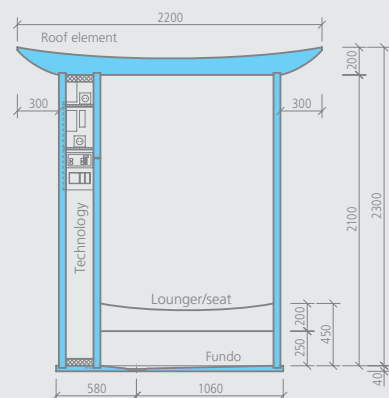
2 x labour

m² Sanoasa Esotica:

(Details plus tile cut-offs)

- Inside surface: approx. 8.80 m²
- External surface: approx. 10.00 m²
- Only rear panel: approx. 3.40 m²
- Floor: approx. 1.30 m²
- Seating: approx. 1.30 m²

Technical drawings



Sanoasa multicenter

wedi Sanoasa *Agola* | multicenter



Description	Packing unit	Order no.
wedi Sanoasa Agola	1 unit	07-66-90/000

Options		
Pre-installed vapour barrier	1 unit	07-66-90/110
Exclusive shower panel	1 unit	07-64-00/106
Exclusive/Raindance 180 mm shower panel	1 unit	07-64-18/106
LED technology set of 2 lamps	1 unit	07-64-00/107
Fibre glass cable 50 fibres/light points	1 unit	07-64-00/109
Stainless steel cover plate for steam outlet nozzle	1 unit	60-05-02/002

! Delivery takes 6–7 weeks. The Sanoasa Multicenter is only suitable for use in homes and not in commercial properties.

i All Sanoasa multicenters can also be produced according to individual dimensions and design requirements.

Sanoasa Agola

- Ready-to-install wall and roof elements
- Fundo floor element inclusive of drain
- Steam technology: steam generator inc. pre-installed pipes
- Shower technology: fully pre-installed pipes for the hand shower
- Massage technology: fully pre-installed pipes for 4 massage jets
- Aluminium steam outlet nozzle
- Inspection door
- hansgrohe pre-fabricated sets
- Coloured roof coating acc. to the RAL colour system
- 2 tileable stools
- Glass modules including profile system, door
- 2 halogen lamps
- 1 loud speaker

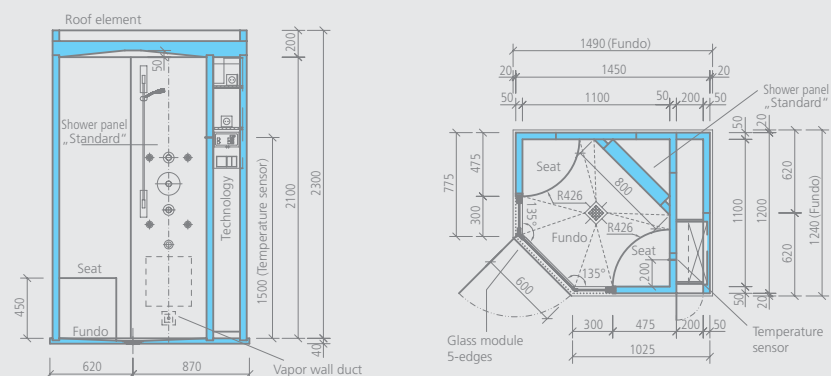
👤 2 x labour

m² Sanoasa Agola:

(Details plus tile cut-offs)

- Inside surface: approx. 5.30 m²
- External surface: approx. 2.30 m²
- only rear panel 1: approx. 3.50 m²
- only rear panel 2: approx. 2.90 m²
- Floor: approx. 0.85 m²
- Seating: approx. 0.90 m²

Technical drawings



wedi Sanoasa *Porta* | multicenter



Description	Packing unit	Order no.
wedi Sanoasa Porta	1 unit	07-67-00/000

Options

Pre-installed vapour barrier	1 unit	07-66-00/110
Shower panel Exclusive	1 unit	07-64-00/106
Exclusive/Raindance 180 mm shower panel	1 unit	07-64-18/106
LED technology set of 4 lamps	1 unit	07-64-00/108
Fibre glass cable 50 fibres/light points	1 unit	07-64-00/109
Stainless steel cover plate for steam outlet nozzle	1 unit	60-05-02/002

! • Delivery takes 6–7 weeks. The Sanoasa Multicenter is only suitable for use in homes and not in commercial properties.

i • All Sanoasa multicenters can also be produced according to individual dimensions and design requirements.

Sanoasa Porta

- Ready-to-install wall and roof elements
- Fundo floor element inclusive of drain
- Steam technology: steam generator inc. pre-installed pipes
- Shower technology: fully pre-installed pipes for the hand shower
- Massage technology: fully pre-installed pipes for 4 massage jets
- Aluminium steam outlet nozzle
- Inspection door
- hansgrohe pre-fabricated sets
- Coloured roof coating acc. to the RAL colour system
- Tileable seating element
- Glass door with metal fittings and door knob
- 1 glass wall including profile system
- 2 halogen lamps
- 2 loudspeakers

2 x labour

m² Sanoasa Porta:

(Details plus tile cut-offs)

- Inside surface: approx. 6.00 m²
- External surface: approx. 9.00 m²
- only rear panel: approx. 2.60 m²
- Floor: approx. 1.50 m²
- Seating: approx. 1.00 m²

Technical drawings

