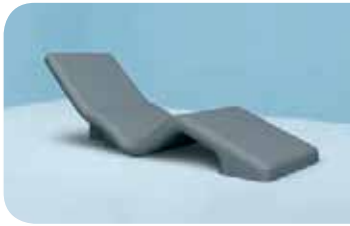


wedi Sanoasa *Lounger 1* | lounger

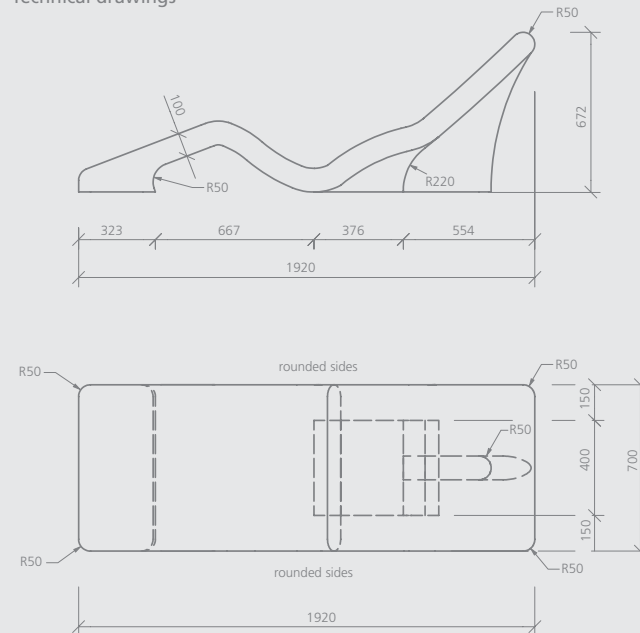


Description	Length x width x height	Order no.
wedi Sanoasa Lounger 1, lounger without heating	1920 x 700 x 672 mm	07-64-00/042
wedi Sanoasa Lounger 1, lounger with electric heating	1920 x 700 x 672 mm	07-64-00/043
wedi Sanoasa Lounger 1, lounger with hot water heating	1920 x 700 x 672 mm	07-64-00/044

- ! Delivery time for lounger elements with electrical or hot water heating sets which are to be installed on site can be obtained on request.
- Customised products are offered on a project-by-project basis.
- The electrical heating set delivery contains a flush-mounted thermostat for dry areas. Alternatively, a thermostat for connections in a switching cabinet is available.
- The lounger element shall be glued to the carrier element using wedi 610 adhesive sealant.

m² Lounger element: approx. 4.15 m²
 Carrier element: approx. 0.47 m²

Technical drawings



Sanoasa lounger

wedi Sanoasa *Lounger 2* | lounger

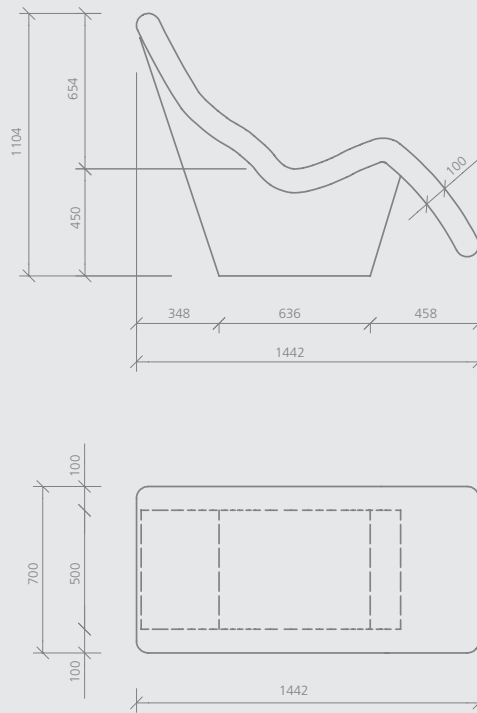


Description	Length x width x height	Order no.
wedi Sanoasa Lounger 2, lounger without heating	1442 x 700 x 1104 mm	07-64-00/045
wedi Sanoasa Lounger 2, lounger with electric heating	1442 x 700 x 1104 mm	07-64-00/046
wedi Sanoasa Lounger 2, lounger with hot water heating	1442 x 700 x 1104 mm	07-64-00/047

- Delivery time for lounger elements with electrical or hot water heating sets which are to be installed on site can be obtained on request.
- Customised products are offered on a project-by-project basis.
- The electrical heating set delivery contains a flush-mounted thermostat for dry areas. Alternatively, a thermostat for connections in a switching cabinet is available.
- The lounger element shall be glued to the carrier element using wedi 610 adhesive sealant.

m² Lounger element: approx. 2.33 m²
 Carrier element: approx. 1.51 m²

Technical drawings



wedi Sanoasa Lounger 3 | lounger

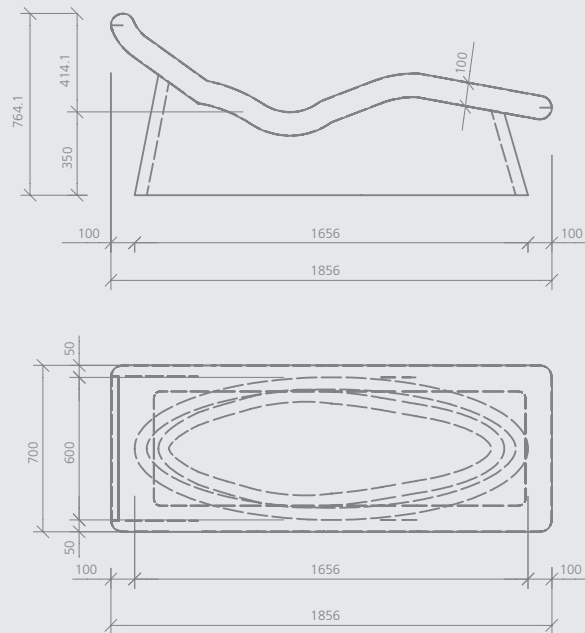


Description	Length x width x height	Order no.
wedi Sanoasa Lounger 3, lounger without heating	1856 x 700 x 764 mm	07-64-00/049
wedi Sanoasa Lounger 3, lounger with electric heating	1856 x 700 x 764 mm	07-64-00/050
wedi Sanoasa Lounger 3, lounger with hot water heating	1856 x 700 x 764 mm	07-64-00/051

- ! Delivery time for lounger elements with electrical or hot water heating sets which are to be installed on site can be obtained on request.
- Customised products are offered on a project-by-project basis.
- The electrical heating set delivery contains a flush-mounted thermostat for dry areas. Alternatively, a thermostat for connections in a switching cabinet is available.
- The lounger element shall be glued to the carrier element using wedi 610 adhesive sealant.

m² Lounger element:	approx. 3.07 m ²
Carrier element:	approx. 1.28 m ²

Technical drawings



Sanoasa lounger

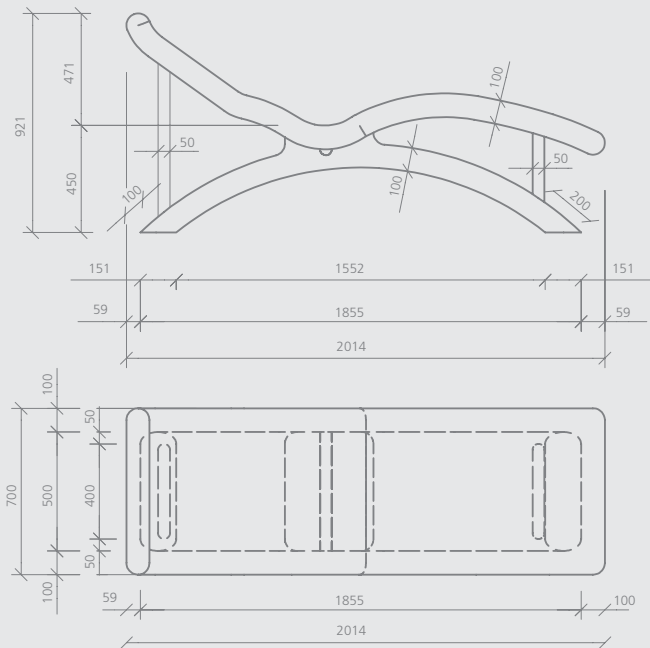
wedi Sanoasa *Lounger 4* | lounger



Description	Length x width x height	Order no.
wedi Sanoasa Lounger 4, lounger without heating	2014 x 700 x 921 mm	07-64-00/053
wedi Sanoasa Lounger 4, lounger with electric heating	2014 x 700 x 921 mm	07-64-00/054
wedi Sanoasa Lounger 4, lounger with hot water heating	2014 x 700 x 921 mm	07-64-00/055

- ! Delivery time for lounger elements with electrical or hot water heating sets which are to be installed on site can be obtained on request
- m² Lounger element: approx. 3,18 m²
 Carrier element: approx. 3,05 m²
- Customised products are offered on a project-by-project basis.
- The electrical heating set delivery contains a flush-mounted thermostat for dry areas. Alternatively, a thermostat for connections in a switching cabinet is available.
- The lounger element shall be glued to the carrier element using wedi 610 adhesive sealant.

Technical drawings



wedi Sanoasa Lounger 5 | lounger



Description	Length x width x height	Order no.
wedi Sanoasa Lounger 5, lounger without heating	1738 x 700 x 890 mm	07-64-00/059
wedi Sanoasa Lounger 5, lounger with electric heating	1738 x 700 x 890 mm	07-64-00/060
wedi Sanoasa Lounger 5, lounger with hot water heating	1738 x 700 x 890 mm	07-64-00/061

- ! Delivery time for lounger elements with electrical or hot water heating sets which are to be installed on site can be obtained on request.
- Customised products are offered on a project-by-project basis.
- The electrical heating set delivery contains a flush-mounted thermostat for dry areas. Alternatively, a thermostat for connections in a switching cabinet is available.

m² Loungerelement inkl. Carrier element: approx. 4,16 m²

Technical drawings

