

# Sanoasa Vario cabins

## Sanoasa *Toretta* | Vario cabin



Sanoasa Toretta, with pitched roof



Sanoasa Toretta, with flat roof

### Description

Sanoasa Toretta, with pitched roof

Sanoasa Toretta, with flat roof

### Packing unit

1 unit

1 unit

### Order no.

07-66-11/000

07-66-10/000

### Options

Stainless steel sash with glass door

1 unit

67-67-00/000

Wall heating (hot water heating)

1 unit

67-67-40/000

Seat heating (hot water heating)

1 unit

67-67-40/100

Epoxy resin coating pitched roof

1 unit

67-66-11/000

Epoxy resin coating flat roof

1 unit

67-66-10/000

! Delivery takes 6–7 weeks.

- The wall and seating heating consists of pre-installed hot water heating pipes (12 mm PEX) inclusive of 1/2 inch outside connection thread. The heating technology should be set up on site.
- If it is to serve as a vapour bath, a base slope design to drain off the condensation is imperative.
- Epoxy resin coatings can be supplied acc. to the RAL colour system.

👤 2 x labour

### 📐 Sanoasa Toretta:

(Details plus tile cut-offs)

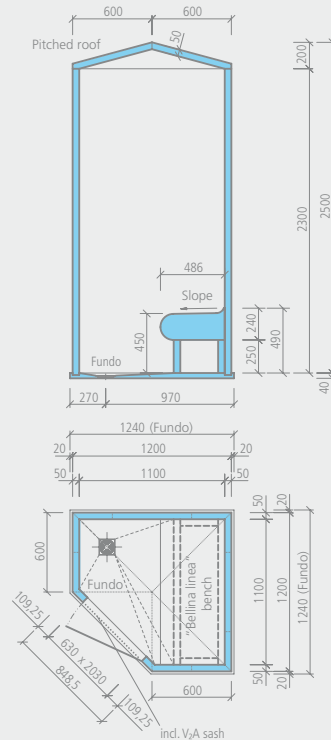
- Inside surface without roof: approx. 7.50 m<sup>2</sup>
- Outside surface without roof: approx. 9.50 m<sup>2</sup>
- Floor: approx. 0.70 m<sup>2</sup>
- Bench: approx. 1.10 m<sup>2</sup>

### 🛠 Sanoasa Toretta

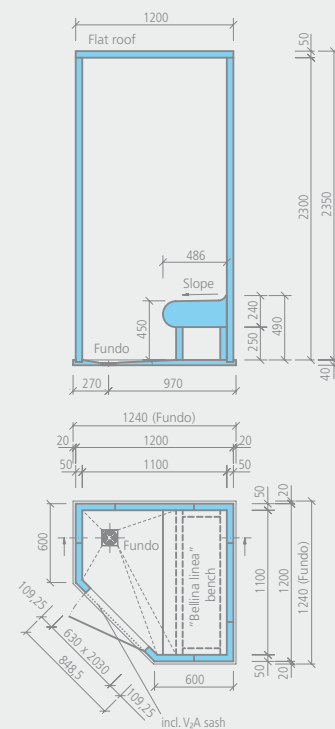
- Ready-to-install wall and roof elements
- Tileable seating
- Fundo floor element inclusive of drain

### Technical drawings

Sanoasa Toretta, with pitched roof



Sanoasa Toretta, with flat roof



# Sanoasa Pergola | Vario cabin



Sanoasa Pergola, with tunnel roof



Sanoasa Pergola, with flat roof

## Description

Sanoasa Pergola, with tunnel roof

Sanoasa Pergola, with flat roof

## Packing unit

1 unit

1 unit

## Order no.

07-66-21/000

07-66-20/000

## Options

Stainless steel sash with glass door

Wall heating (hot water heating)

Seat heating (hot water heating)

Epoxy resin coating tunnel roof

Epoxy resin coating flat roof

1 unit

1 unit

1 unit

1 unit

1 unit

67-67-00/000

67-67-41/000

67-67-41/100

67-66-21/000

67-66-20/000

! Delivery takes 6–7 weeks.

The wall and seating heating consists of pre-installed hot water heating pipes (12 mm PEX) inclusive of 1/2 inch outside connection thread.

The heating technology should be set up on site.

If it is to serve as a vapour bath, a base slope design to drain off the condensation is imperative.

Epoxy resin coatings can be supplied acc. to the RAL colour system.

2 x labour

## m² Sanoasa Pergola:

(Details plus tile cut-offs)

• Inside surface

without roof: approx. 11.00 m²

• Outside surface

without roof: approx. 12.50 m²

• Floor:

approx. 1.10 m²

• Benches:

approx. 2.20 m²

## Sanoasa Pergola

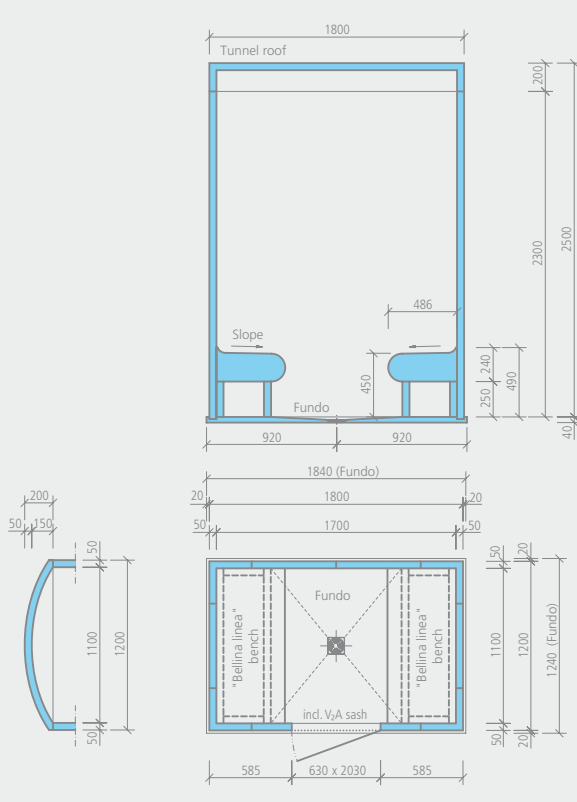
• Ready-to-install wall and roof elements

• 2 tileable seating elements

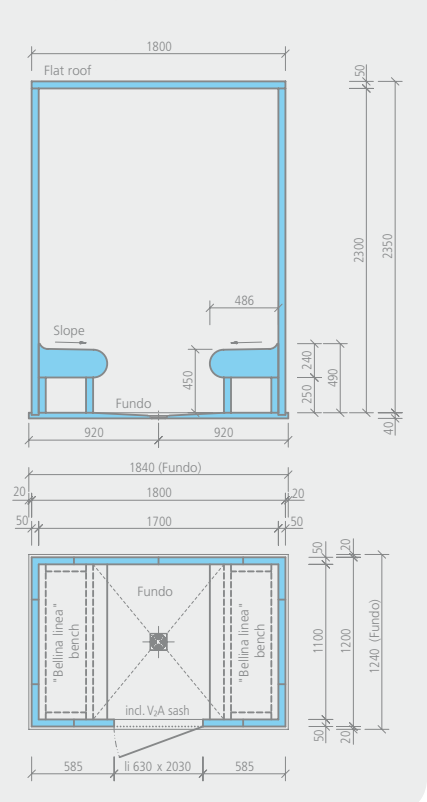
• Fundo floor element inclusive of drain

## Technical drawings

Sanoasa Pergola, with tunnel roof



Sanoasa Pergola, with flat roof



# Sanoasa Vario cabins

## Sanoasa *Capricia* | Vario cabin



Sanoasa Capricia, with dome roof



Sanoasa Capricia, with flat roof

### Description

- Sanoasa Capricia, with dome roof
- Sanoasa Capricia, with flat roof

### Packing unit

- 1 unit
- 1 unit

### Order no.

- 07-66-31/000
- 07-66-30/000

### Options

Stainless steel sash with glass door	1 unit	67-67-00/000
Wall heating (hot water heating)	1 unit	67-67-42/000
Seat heating (hot water heating)	1 unit	67-67-42/100
Epoxy resin coating dome roof	1 unit	67-66-31/000
Epoxy resin coating flat roof	1 unit	67-66-30/000

- Delivery takes 6–7 weeks.
- The wall and seating heating consists of pre-installed hot water heating pipes (12 mm PEX) inclusive of 1/2 inch outside connection thread. The heating technology should be set up on site.
- If it is to serve as a vapour bath, a base slope design to drain off the condensation is imperative.
- Epoxy resin coatings can be supplied acc. to the RAL colour system.

2 x labour

### Sanoasa Capricia:

(Details plus tile cut-offs)

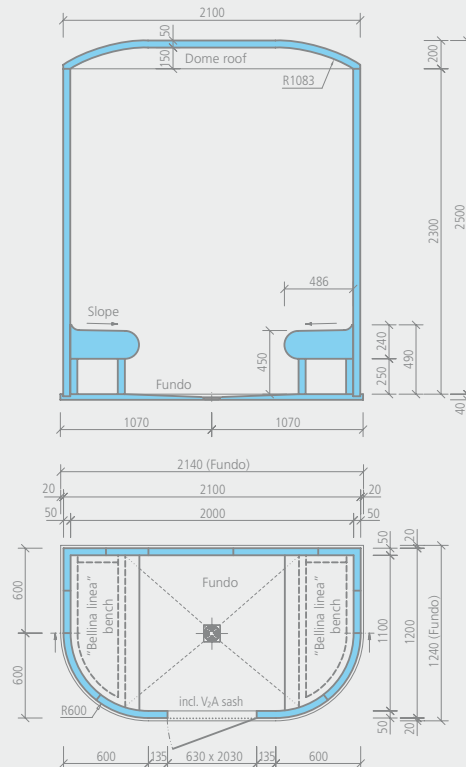
- Inside surface without roof: approx. 12.00 m<sup>2</sup>
- Outside surface without roof: approx. 12.80 m<sup>2</sup>
- Floor: approx. 1.40 m<sup>2</sup>
- Benches: approx. 2.00 m<sup>2</sup>

### Sanoasa Capricia

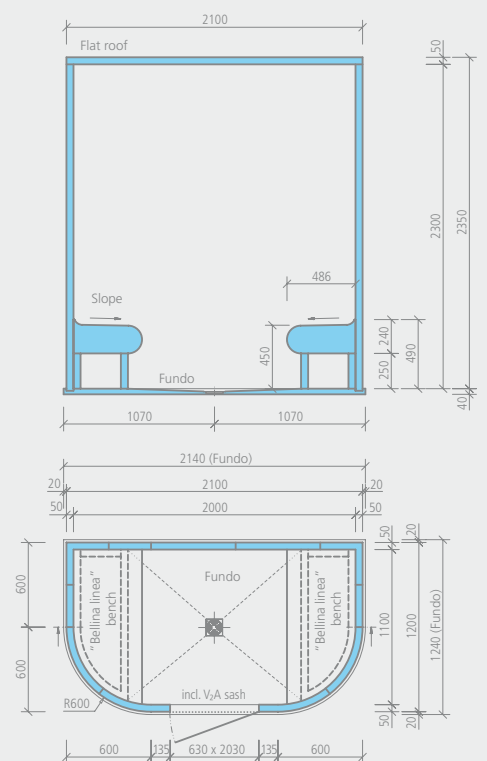
- Ready-to-install wall and roof elements
- 2 tileable seating elements
- Fundo floor element inclusive of drain

### Technical drawings

Sanoasa Capricia, with dome roof



Sanoasa Capricia, with flat roof



# Sanoasa Bicocca | Vario cabin



Sanoasa Bicocca, with pitched roof



Sanoasa Bicocca, with flat roof

## Description

- Sanoasa Bicocca, with pitched roof
- Sanoasa Bicocca, with flat roof

## Packing unit

- 1 unit
- 1 unit

## Order no.

- 07-66-41/000
- 07-66-40/000

## Options

Stainless steel sash with glass door	1 unit	67-67-00/000
Wall heating (hot water heating)	1 unit	67-67-43/000
Seat heating (hot water heating)	1 unit	67-67-43/100
Epoxy resin coating pitched roof	1 unit	67-66-41/000
Epoxy resin coating flat roof	1 unit	67-66-40/000

! Delivery takes 6–7 weeks.

- The wall and seating heating consists of pre-installed hot water heating pipes (12 mm PEX) inclusive of 1/2 inch outside connection thread. The heating technology should be set up on site.
- If it is to serve as a vapour bath, a base slope design to drain off the condensation is imperative.
- Epoxy resin coatings can be supplied acc. to the RAL colour system.

👤 2 x labour

## m² Sanoasa Bicocca:

(Details plus tile cut-offs)

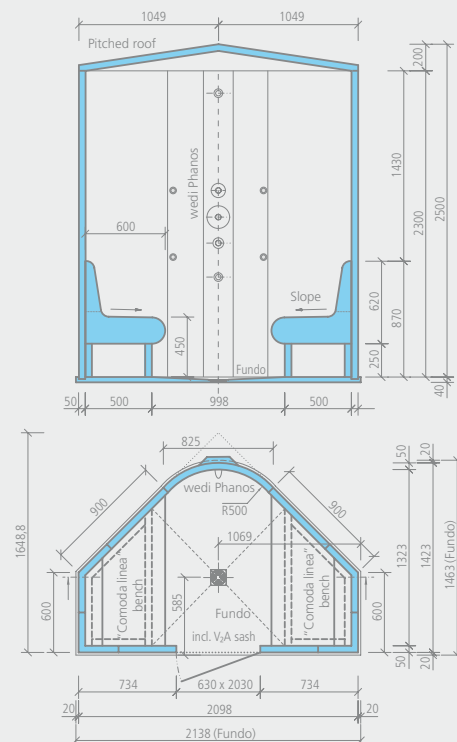
- Inside surface without roof: approx. 11.00 m²
- Outside surface without roof: approx. 12.50 m²
- Floor: approx. 1.30 m²
- Benches: approx. 2.40 m²

## 👉 Sanoasa Bicocca

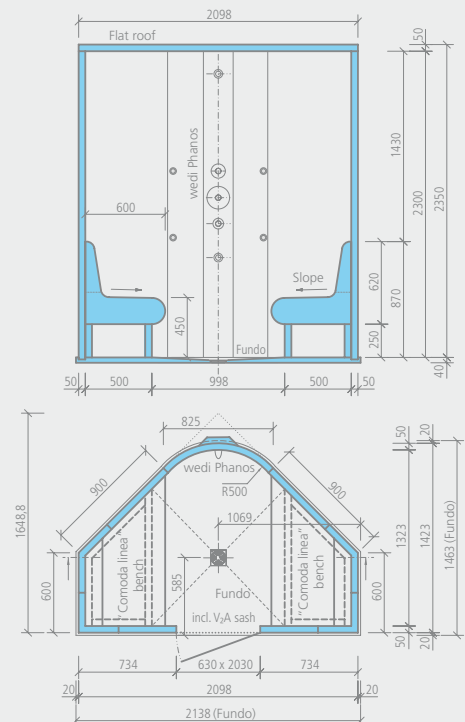
- Ready-to-install wall and roof elements
- Fundo floor element inclusive of drain
- Shower technology: fully pre-installed pipes for the hand shower
- Massage technology: fully pre-installed pipes for 4 massage jets
- 2 tileable seating elements

## Technical drawings

### Sanoasa Bicocca, with pitched roof



### Sanoasa Bicocca, with flat roof



# Sanoasa Vario cabins

## Sanoasa *Vista* | Vario cabin



### Description

Sanoasa Vista, with tunnel roof

### Packing unit

1 unit

### Order no.

07-66-50/000

### Options

Glass door	1 unit	67-67-00/100
Wall heating (hot water heating)	1 unit	67-67-44/000
Seat heating (hot water heating)	1 unit	67-67-44/100
Epoxy resin coating tunnel roof	1 unit	67-66-50/000

- Delivery takes 6–7 weeks.
- The wall and seating heating consists of pre-installed hot water heating pipes (12 mm PEX) inclusive of 1/2 inch outside connection thread. The heating technology should be set up on site.
- Epoxy resin coatings can be supplied acc. to the RAL colour system.

2 x labour

### Sanoasa Vista:

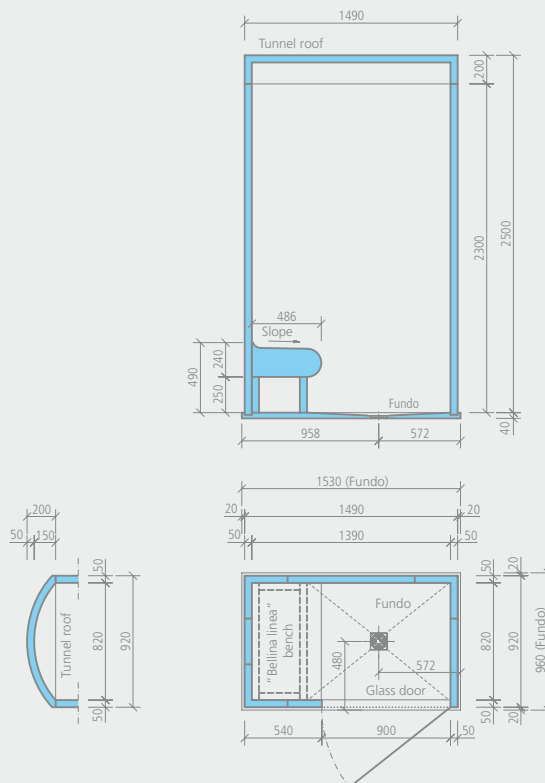
(Details plus tile cut-offs)

- Inside surface without roof: approx. 8.00 m<sup>2</sup>
- Outside surface without roof: approx. 9.50 m<sup>2</sup>
- Floor: approx. 0.90 m<sup>2</sup>
- Bench: approx. 0.90 m<sup>2</sup>

### Sanoasa Vista

- Ready-to-install wall and roof elements
- Tileable seating
- Fundo floor element inclusive of drain

### Technical drawings



# Sanoasa *Panorama* | Vario cabin



Description	Packing unit	Order no.
Sanoasa Panorama, with tunnel roof	1 unit	07-66-60/000

Options		
Glass door and glass screen	1 unit	67-67-00/200
Wall heating (hot water heating)	1 unit	67-67-44/000
Seat heating (hot water heating)	1 unit	67-67-44/100
Epoxy resin coating tunnel roof	1 unit	67-66-50/000

- Delivery takes 6–7 weeks.
- The wall and seating heating consists of pre-installed hot water heating pipes (12 mm PEX) inclusive of 1/2 inch outside connection thread. The heating technology should be set up on site.
- Epoxy resin coatings can be supplied acc. to the RAL colour system.

2 x labour

### Sanoasa Panorama:

(Details plus tile cut-offs)

- Inside surface without roof: approx. 5.50 m<sup>2</sup>
- Outside surface without roof: approx. 6.80 m<sup>2</sup>
- Floor: approx. 0.90 m<sup>2</sup>
- Benches: approx. 0.90 m<sup>2</sup>

- Sanoasa Panorama
- Ready-to-install wall and roof elements
- Tileable seating
- Fundo floor element inclusive of drain

### Technical drawings

