

Sanoasa Comoda benches

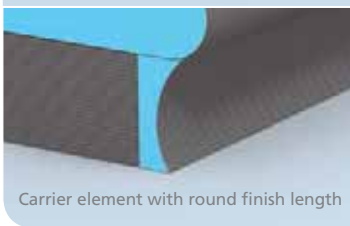
wedi Sanoasa *Comoda* | bench/carrier element, slope to front/slope to back



Bench element, slope to front



Bench element, slope to back



Carrier element with round finish length

Description

wedi Sanoasa Comoda, bench element, slope to front

wedi Sanoasa Comoda, bench element, slope to front

wedi Sanoasa Comoda, bench element, slope to back

wedi Sanoasa Comoda, bench element, slope to back

wedi Sanoasa Comoda, carrier element, round finish length

Length

1000 mm

2000 mm

1000 mm

2000 mm

1000 mm

Order no.

07-64-47/015

07-64-38/000

07-64-47/016

07-64-36/000

07-64-37/500

Options

Bench element with integrated electrical heating set

2000 mm

–

Bench element with integrated hot water heating set

2000 mm

–

- ! • The bench element is supplied in two parts, a back rest and a seat.
- These pieces shall be glued with wedi 610 sealant as must the bench element with the carrier element.
- Each bench element (2000 mm) requires two carrier elements.
- For hot water or electrical heating sets which are to be installed on site, the delivery time is approx. 4–5 weeks.

m² Bench element (for 2000 mm length):

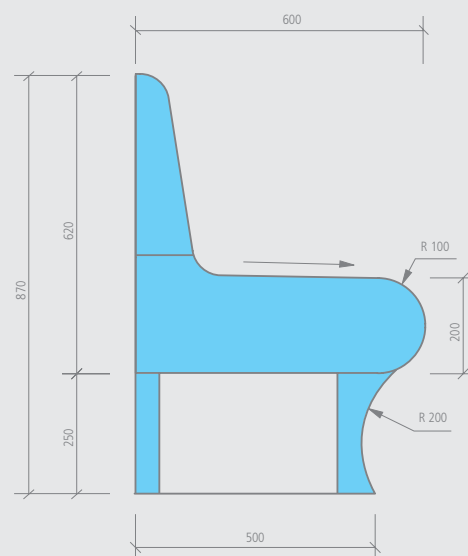
- Front: approx. 2.30 m²
- Rear panel: approx. 1.24 m²
- Sides: approx. 0.31 m²

Carrier elements (for 2000 mm length):

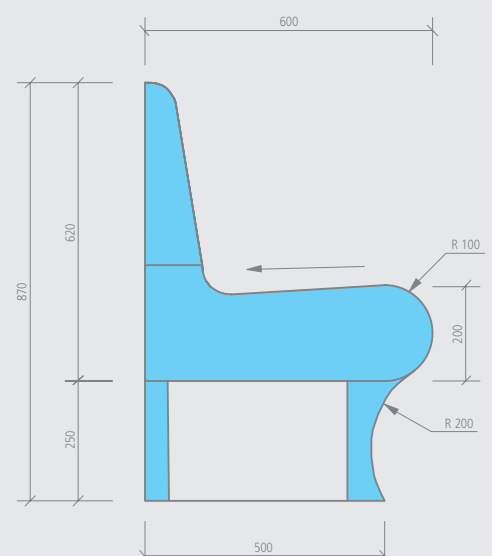
- Front: approx. 0.60 m²
- Rear panel: approx. 0.50 m²
- Sides: approx. 0.25 m²

Technical drawings

Sanoasa Comoda, slope to front



Sanoasa Comoda, slope to back



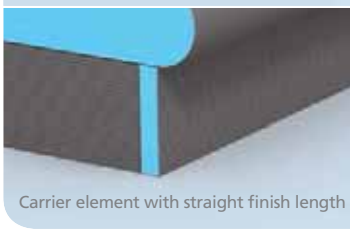
wedi Sanoasa Comoda *linea* | bench/carrier element, slope to front/slope to back



Bench element, slope to front



Bench element, slope to back



Carrier element with straight finish length

Description

wedi Sanoasa Comoda, bench element, slope to front

wedi Sanoasa Comoda, bench element, slope to front

wedi Sanoasa Comoda, bench element, slope to back

wedi Sanoasa Comoda, bench element, slope to back

wedi Sanoasa Comoda *linea*, carrier element, straight finish length

Length

1000 mm

2000 mm

1000 mm

2000 mm

1000 mm

Order no.

07-64-47/015

07-64-38/000

07-64-47/016

07-64-36/000

07-64-37/000

Options

Bench element with integrated electrical heating set

2000 mm

–

Bench element with integrated hot water heating set

2000 mm

–

- ! • The bench element is supplied in two parts, a back rest and a seat.
- These pieces shall be glued with wedi 610 sealant, as must the bench element with the carrier element.
- Each bench element (2000 mm) requires two carrier elements.
- For hot water or electrical heating sets which are to be installed on site, the delivery time is approx. 4–5 weeks.

m² Bench element (for 2000 mm length):

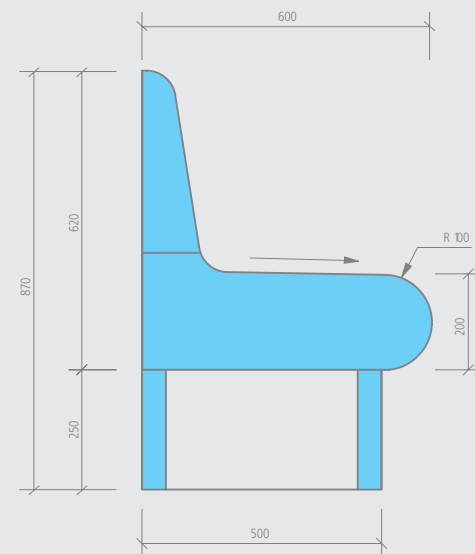
- Front: approx. 2.30 m²
- Rear panel: approx. 1.24 m²
- Sides: approx. 0.31 m²

Carrier elements (for 2000 mm length):

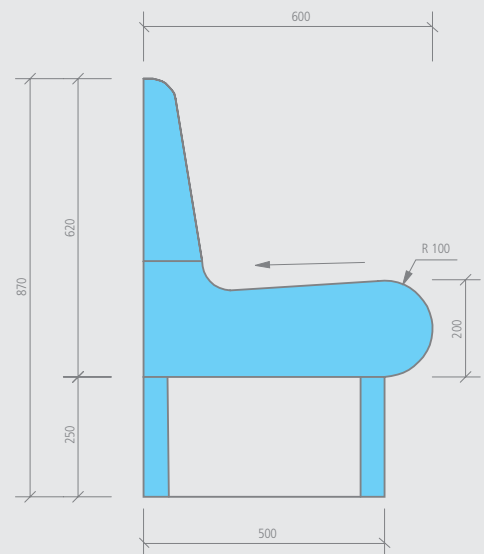
- Front: approx. 0.50 m²
- Rear panel: approx. 0.50 m²
- Sides: approx. 0.25 m²

Technical drawings

Sanosa Comoda *linea*, slope to front

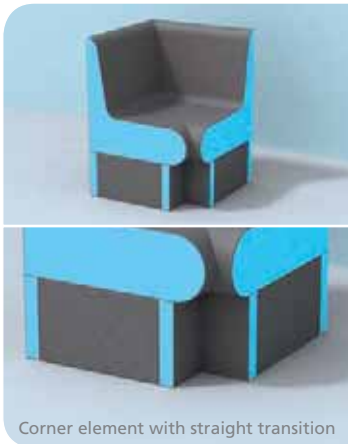


Sanosa Comoda *linea*, slope to back



Sanoasa Comoda benches

wedi Sanoasa *Comoda linea* | corner element 90°, straight, slope to front



Corner element with straight transition

Description

wedi Sanoasa Comoda, bench corner element 90°, straight, slope to front

wedi Sanoasa Comoda *linea*, carrier corner element 90°

Length x width x height

Order no.

650 x 650 x 620 mm

07-64-47/004

650 x 650 x 250 mm

07-64-47/005

! • The bench element shall be glued to the carrier element using wedi 610, adhesive sealant.

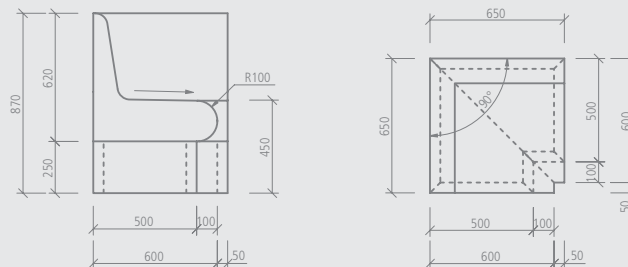
m² Bench corner element:

- Front: approx. 0.90 m²
- Rear panel: approx. 0.90 m²
- Sides: approx. 0.31 m²

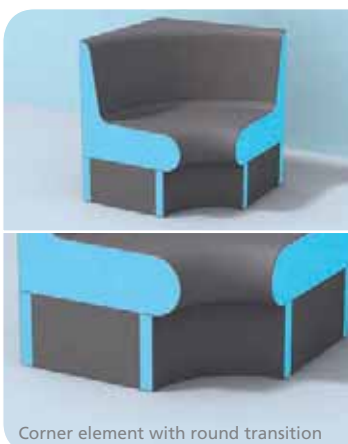
Carrier corner element:

- Front: approx. 0.10 m²
- Rear panel: approx. 0.40 m²
- Sides: approx. 0.25 m²

Technical drawings



wedi Sanoasa *Comoda linea* | corner element 90°, round, slope to front



Corner element with round transition

Description

wedi Sanoasa Comoda, bench corner element 90°, round, slope to front

wedi Sanoasa Comoda *linea*, carrier corner element 90°

Length x width x height

Order no.

850 x 850 x 620 mm

07-64-47/000

850 x 850 x 250 mm

07-64-47/001

! • The bench element shall be glued to the carrier element using wedi 610, adhesive sealant.

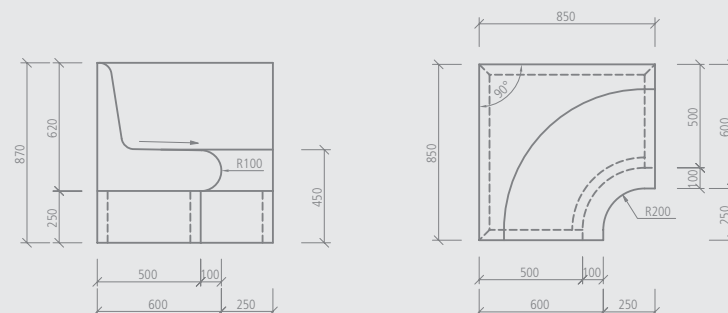
m² Bench corner element:

- Front: approx. 1.20 m²
- Rear panel: approx. 1.10 m²
- Sides: approx. 0.31 m²

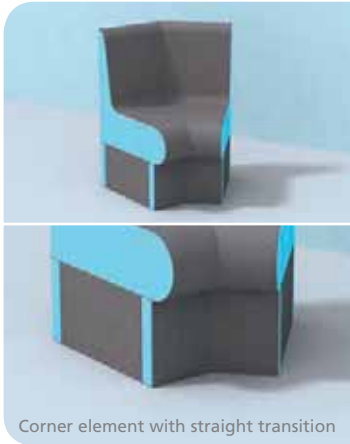
Carrier corner element:

- Front: approx. 0.20 m²
- Rear panel: approx. 0.50 m²
- Sides: approx. 0.25 m²

Technical drawings



wedi Sanoasa *Comoda linea* | corner element 135°, straight, slope to front

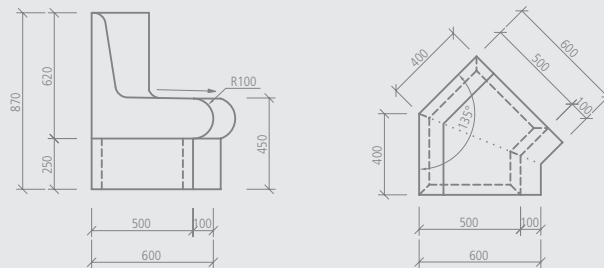


Corner element with straight transition

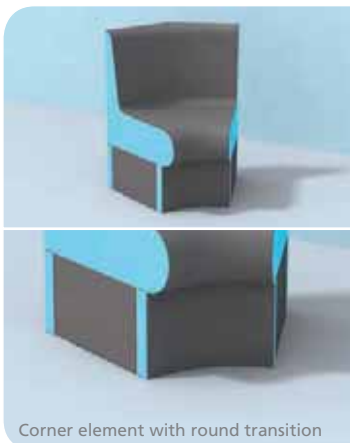
Description	Length x width x height	Order no.
wedi Sanoasa Comoda, bench corner element 135°, straight, slope to front	600 x 660 x 620 mm	07-64-47/006
wedi Sanoasa Comoda <i>linea</i> , carrier corner element 135°	660 x 500 x 250 mm	07-64-47/007

<p>! • The bench element shall be glued to the carrier element using wedi 610, adhesive sealant.</p>	<p>m² Bench corner element:</p> <ul style="list-style-type: none"> • Front: approx. 0.80 m² • Rear panel: approx. 0.50 m² • Sides: approx. 0.31 m² 	<p>Carrier corner element:</p> <ul style="list-style-type: none"> • Front: approx. 0.10 m² • Rear panel: approx. 0.20 m² • Sides: approx. 0.25 m²
---	--	--

Technical drawings



wedi Sanoasa *Comoda linea* | corner element 135°, round, slope to front

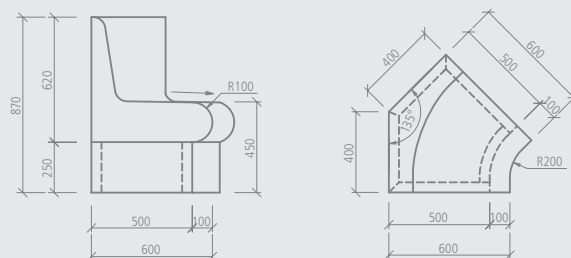


Corner element with round transition

Description	Length x width x height	Order no.
wedi Sanoasa Comoda, bench corner element 135°, round, slope to front	600 x 660 x 620 mm	07-64-47/002
wedi Sanoasa Comoda <i>linea</i> , carrier corner element 135°	660 x 500 x 250 mm	07-64-47/003

<p>! • The bench element shall be glued to the carrier element using wedi 610, adhesive sealant.</p>	<p>m² Bench corner element:</p> <ul style="list-style-type: none"> • Front: approx. 0.80 m² • Rear panel: approx. 0.50 m² • Sides: approx. 0.31 m² 	<p>Carrier corner element:</p> <ul style="list-style-type: none"> • Front: approx. 0.10 m² • Rear panel: approx. 0.20 m² • Sides: approx. 0.25 m²
---	--	--

Technical drawings



Sanoasa Comoda benches

wedi Sanoasa *Comoda linea* | end element, left, R=200, slope to front



Description	Length x width x height	Order no.
wedi Sanoasa Comoda, bench end element left, R=200, slope to front	600 x 300 x 620 mm	07-64-47/011
wedi Sanoasa Comoda <i>linea</i> , carrier end element, R=200	500 x 200 x 250 mm	07-64-47/013

<p>! The bench element shall be glued to the carrier element using wedi 610, adhesive sealant.</p>	<p>m² Bench end element:</p> <ul style="list-style-type: none"> • Front: approx. 0.60 m² • Rear panel: approx. 0.20 m² • Sides: approx. 0.31 m² 	<p>Carrier end element:</p> <ul style="list-style-type: none"> • Front: approx. 0.20 m² • Rear panel: approx. 0.10 m² • Sides: approx. 0.25 m²
---	---	--

Technical drawings

wedi Sanoasa *Comoda linea* | end element, left, R=600, slope to front



Description	Length x width x height	Order no.
wedi Sanoasa Comoda, bench end element left, R=600, slope to front	700 x 600 x 620 mm	07-64-47/008
wedi Sanoasa Comoda <i>linea</i> , carrier end element, R=600	600 x 500 x 250 mm	07-64-47/010

<p>! The bench element shall be glued to the carrier element using wedi 610, adhesive sealant.</p>	<p>m² Bench end element:</p> <ul style="list-style-type: none"> • Front: approx. 0.80 m² • Rear panel: approx. 0.30 m² • Sides: approx. 0.31 m² 	<p>Carrier end element:</p> <ul style="list-style-type: none"> • Front: approx. 0.30 m² • Rear panel: approx. 0.20 m² • Sides: approx. 0.25 m²
---	---	--

Technical drawings

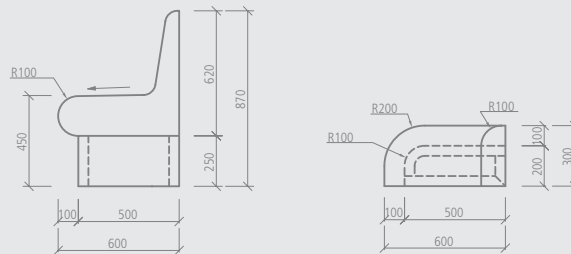
wedi Sanoasa *Comoda linea* | end element, right, R=200, slope to front



Description	Length x width x height	Order no.
wedi Sanoasa Comoda, bench end element right, R=200, slope to front	600 x 300 x 620 mm	07-64-47/012
wedi Sanoasa Comoda <i>linea</i> , carrier end element, R=200	500 x 200 x 250 mm	07-64-47/013

<p>! • The bench element shall be glued to the carrier element using wedi 610, adhesive sealant.</p>	<p>m² Bench end element:</p> <ul style="list-style-type: none"> • Front: approx. 0.60 m² • Rear panel: approx. 0.20 m² • Sides: approx. 0.31 m² 	<p>Carrier end element:</p> <ul style="list-style-type: none"> • Front: approx. 0.20 m² • Rear panel: approx. 0.10 m² • Sides: approx. 0.25 m²
---	---	--

Technical drawings



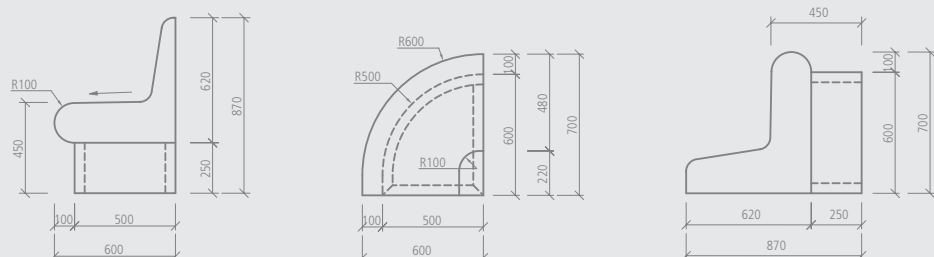
wedi Sanoasa *Comoda linea* | end element, right, R=600, slope to front



Description	Length x width x height	Order no.
wedi Sanoasa Comoda, bench end element right, R=600, slope to front	700 x 600 x 620 mm	07-64-47/009
wedi Sanoasa Comoda <i>linea</i> , carrier end element, R=600	600 x 500 x 250 mm	07-64-47/010

<p>! • The bench element shall be glued to the carrier element using wedi 610, adhesive sealant.</p>	<p>m² Bench end element:</p> <ul style="list-style-type: none"> • Front: approx. 0.80 m² • Rear panel: approx. 0.30 m² • Sides: approx. 0.31 m² 	<p>Carrier end element:</p> <ul style="list-style-type: none"> • Front: approx. 0.30 m² • Rear panel: approx. 0.20 m² • Sides: approx. 0.25 m²
---	---	--

Technical drawings



Sanoasa Comoda benches

wedi Sanoasa *Comoda* & *Comoda linea* | armrest



Description

wedi Sanoasa Comoda & Comoda *linea*, armrest

Length x width x height

650 x 105 x 870 mm

Order no.

07-64-47/014

- ! • The Sanoasa Comoda & Comoda *linea* armrest can be installed equally on the right or the left.
- The armrest must be glued to the bench element and carrier element using wedi 610 adhesive sealant.

m² Armrest:

- Front: approx. 0.75 m²
- Rear panel: approx. 0.10 m²
- Sides: approx. 0.90 m²

Technical drawings

