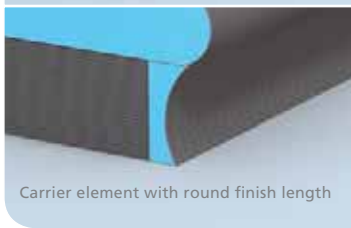


wedi Sanoasa *Collina* | bench/carrier element, slope to front



Carrier element with round finish length

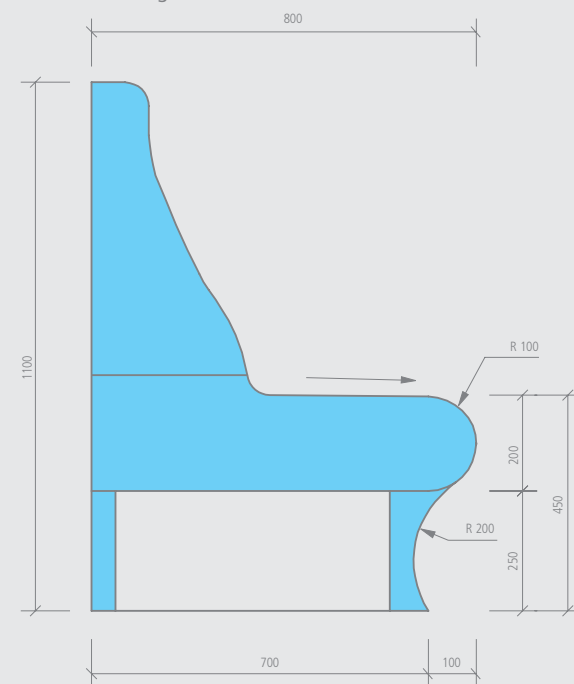
Description	Length	Order no.
wedi Sanoasa Collina, bench element, slope to front	2000 mm	07-64-44/000
wedi Sanoasa Collina, carrier element, round finish length	1000 mm	07-64-45/500

Options	Length	
Bench element with integrated electrical heating set	2000 mm	–
Bench element with integrated hot water heating set	2000 mm	–

- ! • The bench element is supplied in two parts, a back rest and a seat.
- These pieces shall be glued with wedi 610 adhesive sealant, as must the bench element with the carrier element.
- Each bench element (2000 mm) requires two carrier elements.
- For hot water or electrical heating sets which are to be installed on site, the delivery time is approx. 4–5 weeks.

- m²** Bench element:
- Front: approx. 2.90 m²
 - Rear panel: approx. 1.30 m²
 - Sides: approx. 0.58 m²
- Carrier elements (for 2000 mm length):
- Front: approx. 0.60 m²
 - Rear panel: approx. 0.50 m²
 - Sides: approx. 0.35 m²

Technical drawings



Sanoasa Collina benches

wedi Sanoasa *Collina linea* | bench/carrier element, slope to front



Carrier element with straight finish length

Description	Length	Order no.
wedi Sanoasa Collina, bench element, slope to front	2000 mm	07-64-44/000
wedi Sanoasa Collina <i>linea</i> , carrier element, straight finish length	1000 mm	07-64-45/000

Options	Length	
Bench element with integrated electrical heating set	2000 mm	-
Bench element with integrated hot water heating set	2000 mm	-

- !** The bench element is supplied in two parts, a back rest and a seat.
- These pieces shall be glued with wedi 610 adhesive sealant, as must the bench element with the carrier element.
- Each bench element (2000 mm) requires two carrier elements.
- For hot water or electrical heating sets which are to be installed on site, the delivery time is approx. 4–5 weeks.

- m²** Bench element:
- Front: approx. 2.90 m²
 - Rear panel: approx. 1.30 m²
 - Sides: approx. 0.58 m²
- Carrier elements (for 2000 mm length):
- Front: approx. 0.80 m²
 - Rear panel: approx. 0.50 m²
 - Sides: approx. 0.35 m²

Technical drawings

