

# Sanoasa Collina wellness benches

## Sanoasa *Collina* | wellness benches, slope to front



Carrier element with round finish length

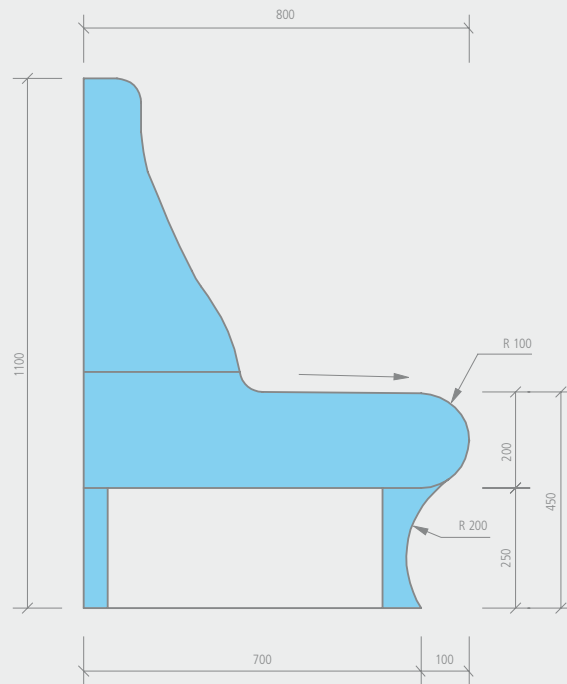
Description	Length	Order no.
Sanoasa Collina, bench element, slope to front	2000 mm	07-64-44/000
Sanoasa Collina, carrier element round finish length	1000 mm	07-64-45/500

Options		
Bench element with integrated electrical heating set	2000 mm	-
Bench element with integrated hot water heating set	2000 mm	-

- !** The bench element is supplied in two parts, a back rest and a seat.
- These pieces shall be glued with wedi 610 adhesive sealant (Page 60), as must the bench element with the carrier element.
- Each bench element requires two carrier elements.
- For hot water or electrical heating sets which are to be installed on site, the delivery time is approx. 4–5 weeks.

- m<sup>2</sup>** Bench element:
- Front: approx. 2.90 m<sup>2</sup>
  - Rear panel: approx. 1.30 m<sup>2</sup>
  - Sides: approx. 0.58 m<sup>2</sup>
- Carrier elements (for 2000 mm length):
- Front: approx. 0.60 m<sup>2</sup>
  - Rear panel: approx. 0.50 m<sup>2</sup>
  - Sides: approx. 0.35 m<sup>2</sup>

### Technical drawings



## Sanoasa *Collina linea* wellness bench, slope to front



Carrier element with straight finish length

Description	Length	Order no.
Sanoasa Collina, bench element, slope to front	2000 mm	07-64-44/000
Sanoasa Collina <i>linea</i> , carrier element, straight finish length	1000 mm	07-64-45/000

### Options

Bench element with integrated electrical heating set	2000 mm	–
Bench element with integrated hot water heating set	2000 mm	–

- !** • The bench element is supplied in two parts, a back rest and a seat.
- These pieces shall be glued with wedi 610 adhesive sealant (Page 60), as must the bench element with the carrier element.
- Each bench element requires two carrier elements.
- For hot water or electrical heating sets which are to be installed on site, the delivery time is approx. 4–5 weeks.

### m<sup>2</sup> Bench element:

- Front: approx. 2.90 m<sup>2</sup>
- Rear panel: approx. 1.30 m<sup>2</sup>
- Sides: approx. 0.58 m<sup>2</sup>

### Carrier elements (for 2000 mm length):

- Front: approx. 0.80 m<sup>2</sup>
- Rear panel: approx. 0.50 m<sup>2</sup>
- Sides: approx. 0.35 m<sup>2</sup>

### Technical drawings

