

Sanbath Wave

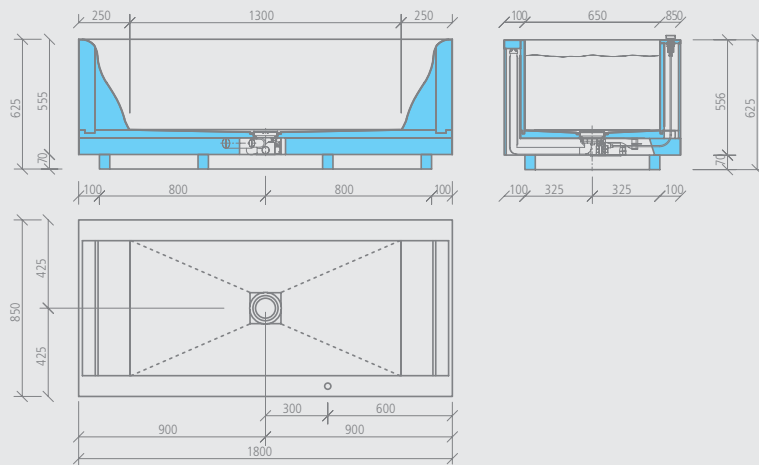
wedi Sanbath *Wave* | tub



Description	Length x width x height	Packing unit	Order no.
wedi Sanbath Wave, tub	1800 x 850 x 625 mm	1 unit	07-36-01/001

- ! • Delivery time is around 4 weeks.
 - ✎ • 1 Bathtub element with drain and overflow fitting, connection DN 40/50, inspection chamber for provided fittings
 - Fundo Fino exclusive drain grate
 - Fundo Fino elegant frame
- m²** Sanbath Wave, tub:
- Inside: approx. 2.90 m²
 - Engraved round outside edge: approx. 3.40 m²

Technical drawings



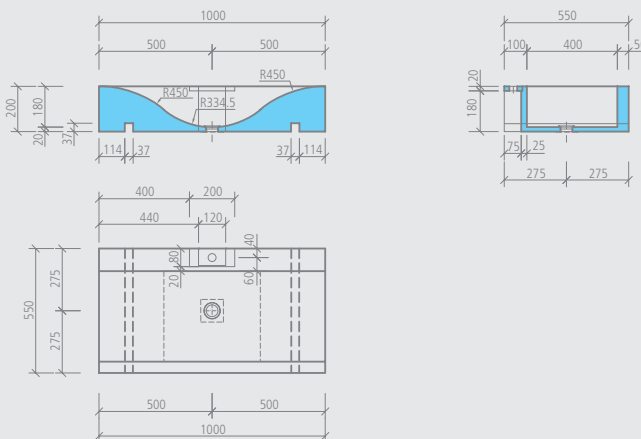
wedi Sanbath *Wave* | wash basin



Description	Length x width x height	Packing unit	Order no.
wedi Sanbath Wave, wash basin	1000 x 550 x 200 mm	1 unit	07-36-03/000

- ! • The wash basin is prepared for installation of siphon (1 1/4") and fittings.
 - ✎ • 1 wash basin element
 - 1 wall fixing (only for flush-mounted fitting)
- m²** Sanbath Wave, wash basin:
- Engraved round outside edge: approx. 1.50 m²


Technical drawings




wedi Sanbath Wave | shower unit



Description	Height x width x depth	Packing unit	Order no.
wedi Sanbath Wave, shower unit	2500 x 1010.5 x 400 mm	1 unit	07-36-02/000

 • 1 shower unit element with 1 hansgrohe iBox (with prefabricated piping for a head shower)

 Sanbath Wave, shower unit:

- Front + sides: approx. 2.06 m²
- Top: approx. 0.84 m²

Technical drawings

