

Sanbath Cube bath elements

Sanbath *Cube* | tub

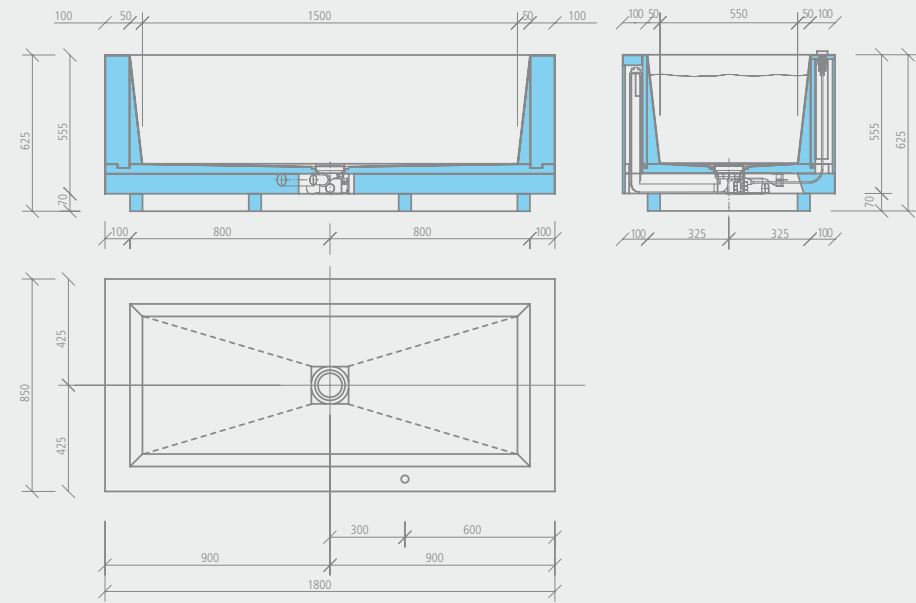


Description	Length x width x height	Packing unit	Order no.
Sanbath Cube, tub	1800 x 850 x 625 mm	1 unit	07-36-07/001

- 1 Bathtub element with drain and overflow fitting, connection DN 40/50, inspection chamber for provided fittings
- Fundo Fino exclusive drain grate
- Fundo Fino elegant frame

- **m²** Sanbath Cube, tub:
 - Inside: approx. 2.80 m²
 - Engraved round outside edge: approx. 3.30 m²

Technical drawings



Sanbath *Cube* | wash stand

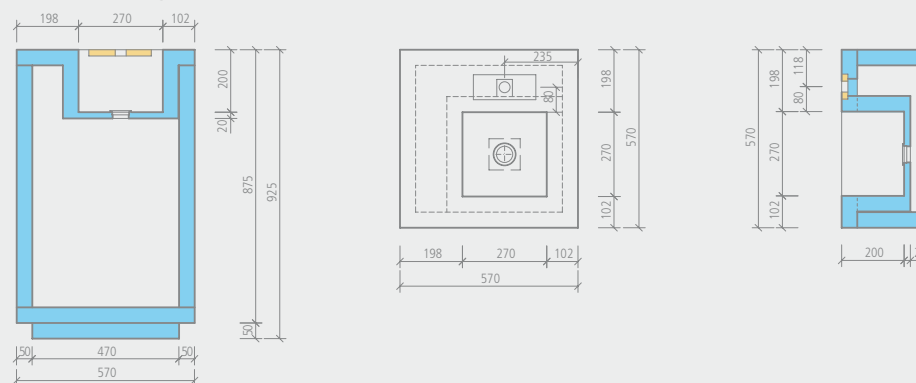


Description	Length x width x height	Packing unit	Order no.
Sanbath Cube, wash stand	570 x 570 x 925 mm	1 unit	07-36-06/000

- The wash basin is prepared for installation of siphon (1 1/4") and fittings.
- 1 wash stand
- 1 siphon, connection DN 50

- **m²** Sanbath Cube, wash stand:
 - Top + inside: approx. 0.60 m²
 - Engraved round outside edge: approx. 2.00 m²

Technical drawings



Sanbath Cube bath elements

Sanbath *Cube* | shower unit

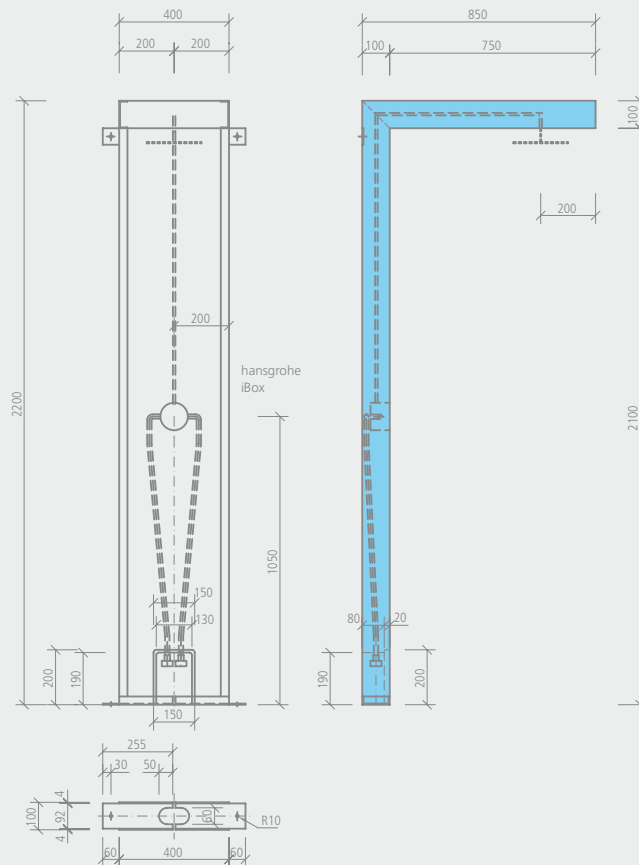


Description	Height x width x depth	Packing unit	Order no.
Sanbath Cube, shower unit	2200 x 400 x 850 mm	1 unit	07-36-05/000

- 1 shower unit element with 1 hansgrohe iBox (with prefabricated piping for a head shower)

- Sanbath Cube, shower unit:
 - Front + sides + top: approx. 3.30 m²

Technical drawings



Sanbath Wave bath elements

Sanbath Wave | tub

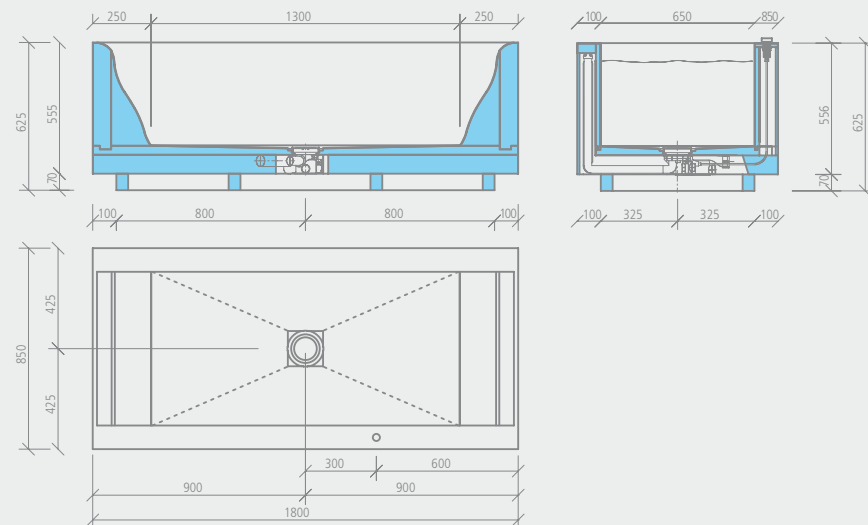


Description	Length x width x height	Packing unit	Order no.
Sanbath Wave, tub	1800 x 850 x 625 mm	1 unit	07-36-01/001

- 1 Bathtub element with drain and overflow fitting, connection DN 40/50, inspection chamber for provided fittings
- Fundo Fino exclusive drain grate
- Fundo Fino elegant frame

- **m²** Sanbath Wave, tub:
 - Inside: approx. 2.90 m²
 - Engraved round outside edge: approx. 3.40 m²

Technical drawings



Sanbath Wave | wash basin

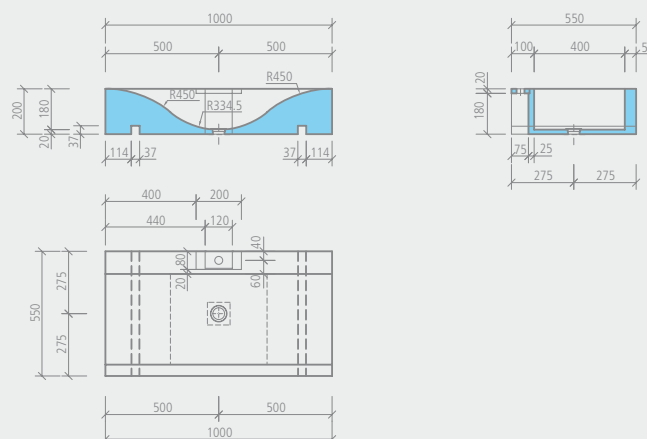


Description	Length x width x height	Packing unit	Order no.
Sanbath Wave, wash basin	1000 x 550 x 200 mm	1 unit	07-36-03/000

- The wash basin is prepared for installation of siphon (1 1/4") and fittings.
- 1 wash basin element
- 1 wall fixing (only for flush-mounted fitting)

- **m²** Sanbath Wave, wash basin:
 - Engraved round outside edge: approx. 1.50 m²

Technical drawings



Sanbath Wave bath elements

Sanbath Wave | shower unit

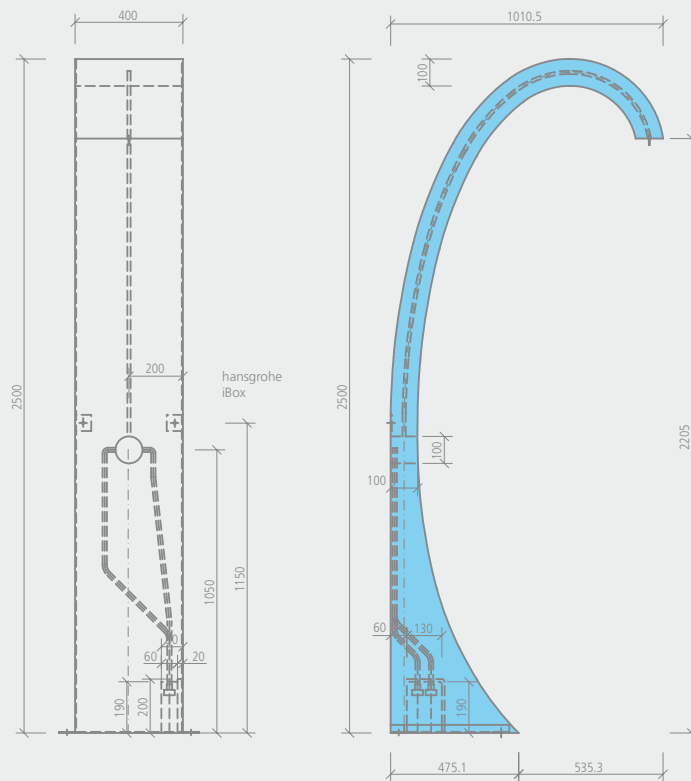


Description	Height x width x depth	Packing unit	Order no.
Sanbath Wave, shower unit	2400 x 1010 x 400 mm	1 unit	07-36-02/000

- 1 shower unit element with 1 hansgrohe iBox (with prefabricated piping for a head shower)

- **m²** Sanbath Wave, shower unit:
 - Front + sides: approx. 2.06 m²
 - Top: approx. 0.84 m²

Technical drawings



Sanbath *Flat* | wash basin



Description	Length x width x height	Packing unit	Order no.
Sanbath Flat, wash basin, with wall fixings	570 x 570 x 80 mm	1 unit	07-36-04/000
Sanbath Flat, wash basin, without wall fixing	570 x 570 x 80 mm	1 unit	07-36-04/500

- !** • The wash basin is prepared for installation of siphon (1 ¼") and fittings.
- The wall fixing is only suitable for flush-mounted fitting.

m² Sanbath Flat, wash basin:
 • Round outside edge
 + inside: approx. 0.50 m²

- i** • The Sanbath Flat wash basin can be combined with all the Fundo range of products, e.g. with the Fundo Primo floor element from page 22.

Technical drawings

