

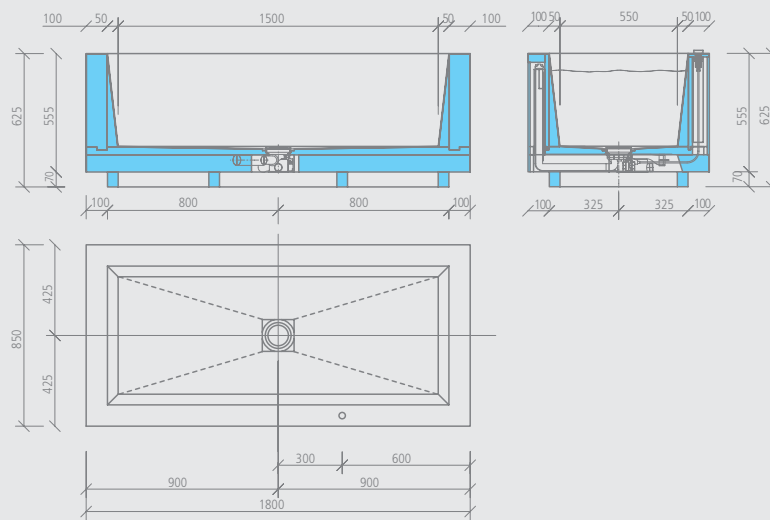
## wedi Sanbath *Cube* | tub



Description	Length x width x height	Packing unit	Order no.
wedi Sanbath Cube, Wanne	1800 x 850 x 625 mm	1 unit	07-36-07/001

- ! • Delivery time is around 4 weeks.
- m² Sanbath Cube, tub:
  - Inside: approx. 2.80 m²
  - Engraved round outside edge: approx. 3.30 m²
- w • 1 Bathtub element with drain and overflow fitting, connection DN 40/50, inspection chamber for provided fittings
- Fundo Fino exclusive drain grate
- Fundo Fino elegant frame

### Technical drawings



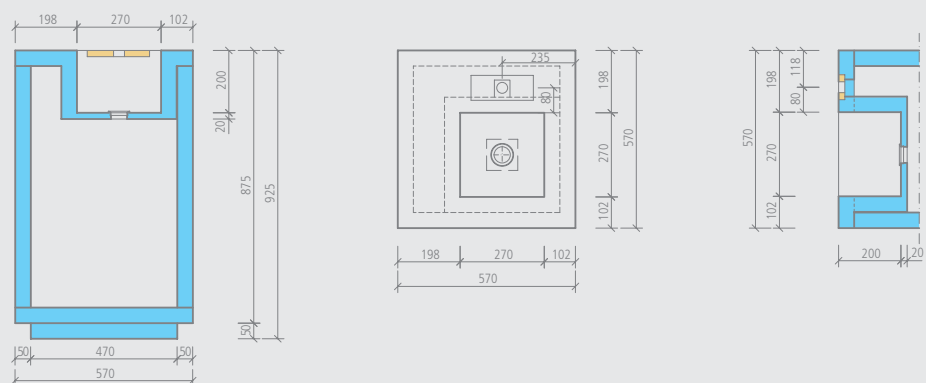
## wedi Sanbath *Cube* | wash stand



Description	Length x width x height	Packing unit	Order no.
wedi Sanbath Cube, wash stand	570 x 570 x 925 mm	1 unit	07-36-06/000

- ! • The wash basin is prepared for installation of siphon (1 ¼") and fittings.
- m² Sanbath Cube, wash stand:
  - Top + inside: approx. 0.60 m²
  - Engraved round outside edge: approx. 2.00 m²
- w • 1 wash stand
- 1 siphon, connection DN 50


### Technical drawings




# wedi Sanbath *Cube* | shower unit

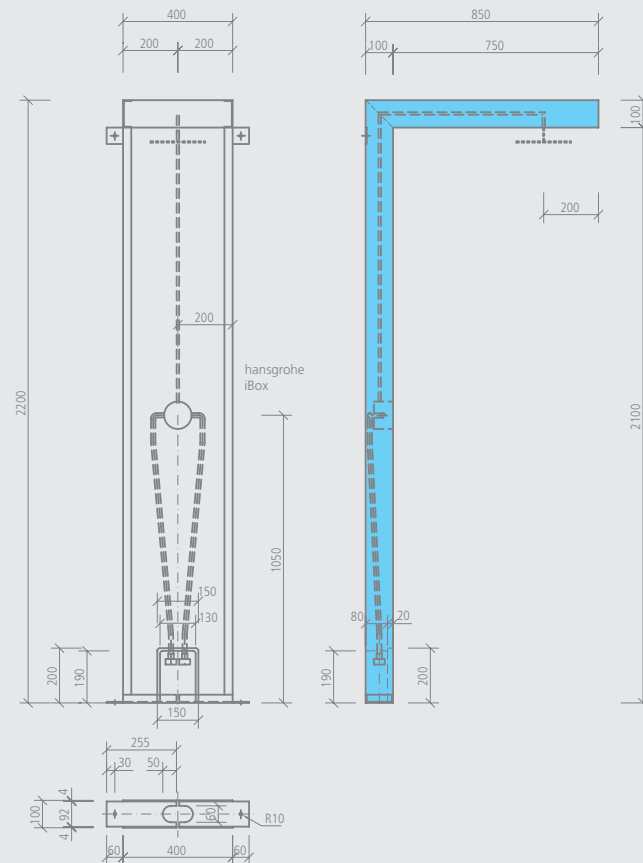


Description	Height x width x depth	Packing unit	Order no.
wedi Sanbath Cube, shower unit	2200 x 400 x 850 mm	1 unit	07-36-05/000

 • 1 shower unit element with 1 hansgrohe iBox (with prefabricated piping for a head shower)

 Sanbath Cube, shower unit:  
• Front + sides + top: approx. 3.30 m²

## Technical drawings



# Sanbath Wave

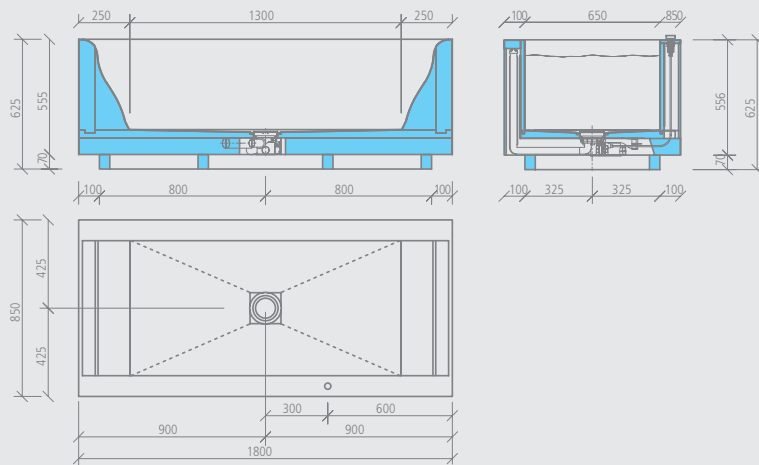
## wedi Sanbath *Wave* | tub



Description	Length x width x height	Packing unit	Order no.
wedi Sanbath Wave, tub	1800 x 850 x 625 mm	1 unit	07-36-01/001

- ! • Delivery time is around 4 weeks.
  - ✎ • 1 Bathtub element with drain and overflow fitting, connection DN 40/50, inspection chamber for provided fittings
  - Fundo Fino exclusive drain grate
  - Fundo Fino elegant frame
- m<sup>2</sup>** Sanbath Wave, tub:
- Inside: approx. 2.90 m<sup>2</sup>
  - Engraved round outside edge: approx. 3.40 m<sup>2</sup>

### Technical drawings



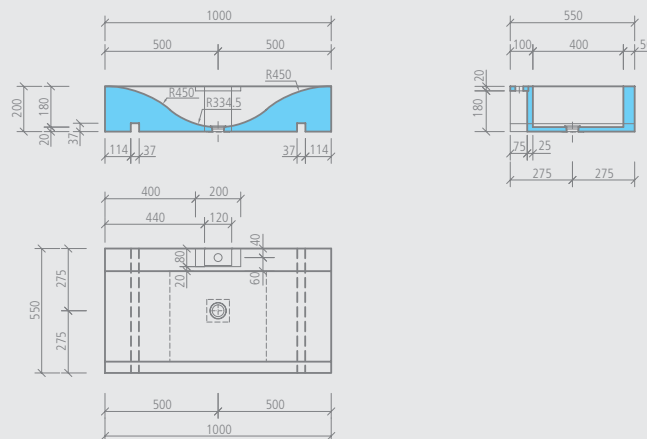
## wedi Sanbath *Wave* | wash basin



Description	Length x width x height	Packing unit	Order no.
wedi Sanbath Wave, wash basin	1000 x 550 x 200 mm	1 unit	07-36-03/000

- ! • The wash basin is prepared for installation of siphon (1 1/4") and fittings.
  - ✎ • 1 wash basin element
  - 1 wall fixing (only for flush-mounted fitting)
- m<sup>2</sup>** Sanbath Wave, wash basin:
- Engraved round outside edge: approx. 1.50 m<sup>2</sup>


### Technical drawings




# wedi Sanbath Wave | shower unit



Description	Height x width x depth	Packing unit	Order no.
wedi Sanbath Wave, shower unit	2500 x 1010.5 x 400 mm	1 unit	07-36-02/000

 • 1 shower unit element with 1 hansgrohe iBox (with prefabricated piping for a head shower)

 Sanbath Wave, shower unit:

- Front + sides: approx. 2.06 m<sup>2</sup>
- Top: approx. 0.84 m<sup>2</sup>

## Technical drawings

