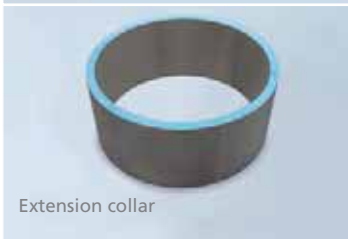


Fundo floor elements / wall elements / designer showers

wedi Fundo *Trollo* | wall element



Fundo Trollo, wall element



Extension collar



Fundo Trollo wall element with glass swinging door

Description	Height	Packing unit	Order no.
wedi Fundo Trollo, wall element	2015 mm	1 unit	04-17-09/002

Options			
Extension collar	500 mm	1 unit	04-17-09/052
Glass swing door	1990 mm	1 unit	60-80-01/100
Glass sliding door	1900 mm	1 unit	60-80-01/200

! The glass door can only be mounted after tiling.

Fundo Trollo, wall element:

- 2 Wall segments type "A"
- 3 wall segments type "B"
- 5 springs
- 2 x 25 m self adhesive joint reinforcement tape
- 3 x wedi 610, adhesive sealant

m² Fundo Trollo, wall element:

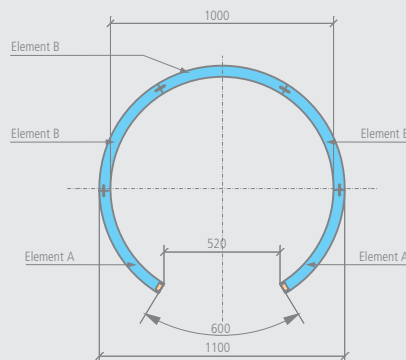
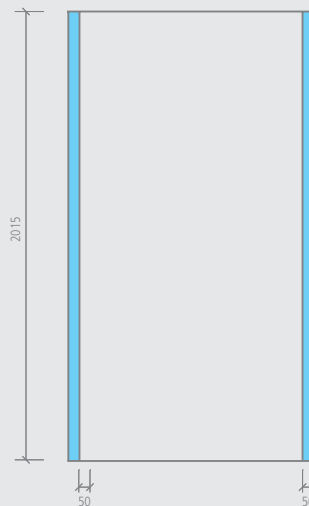
- Inside wall: approx. 5.30 m²
- Outside wall: approx. 6.00 m²

Extension collar:

- Inside wall: approx. 1.60 m²
- Outside wall: approx. 1.80 m²

Technical drawings

Fundo Trollo, wall element



Fundo Trollo, extension collar

