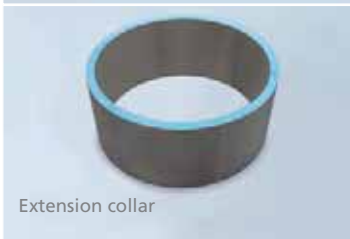


Fundo floor elements / wall elements / designer showers

wedi Fundo *Trollo* | wall element



Fundo Trollo, wall element



Extension collar



Fundo Trollo wall element with glass swinging door

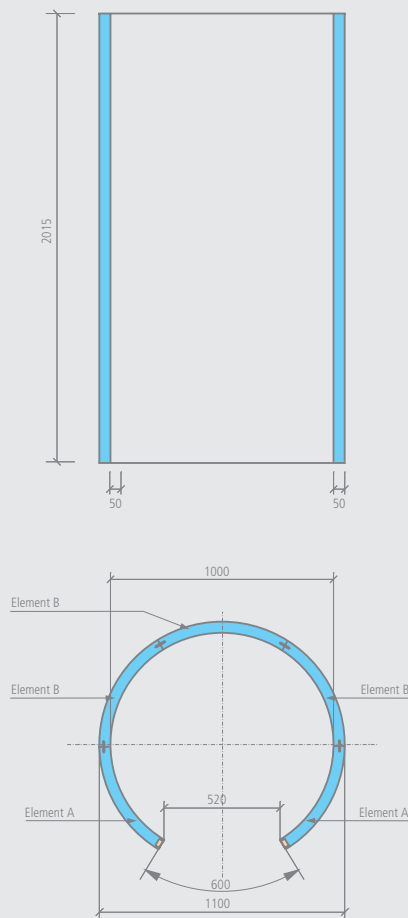
Description	Height	Packing unit	Order no.
wedi Fundo Trollo, wall element	2015 mm	1 unit	04-17-09/002

Options			
Extension collar	500 mm	1 unit	04-17-09/052
Glass swing door	1990 mm	1 unit	60-80-01/100
Glass sliding door	1900 mm	1 unit	60-80-01/200

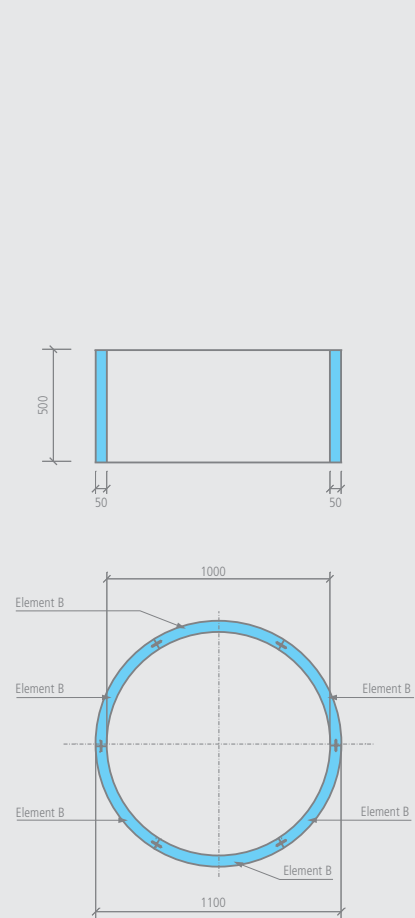
- The glass door can only be mounted after tiling.
- Fundo Trollo, wall element:**
  - 2 Wall segments type "A"
  - 3 wall segments type "B"
  - 5 springs
  - 2 x 25 m self adhesive joint reinforcement tape
  - 3 x wedi 610, adhesive sealant
- Fundo Trollo, wall element:**
  - Inside wall: approx. 5.30 m<sup>2</sup>
  - Outside wall: approx. 6.00 m<sup>2</sup>
- Extension collar:**
  - Inside wall: approx. 1.60 m<sup>2</sup>
  - Outside wall: approx. 1.80 m<sup>2</sup>

Technical drawings

Fundo Trollo, wall element



Fundo Trollo, extension collar

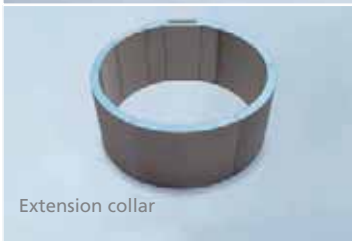


# wedi Fundo Trollo *libero* | designer shower

Drain included in price! Please select a suitable drain.



Fundo Trollo *libero*, designer shower



Extension collar



Fundo Trollo *libero*, designer shower, with glass swing door

Description	Height	Packing unit	Order no.
wedi Fundo Trollo <i>libero</i> , designer shower	2040 mm	1 unit	07-37-63/100

**1 set: floor element, drain and wall element**

Options			
Extension collar	500 mm	1 unit	04-17-09/053
Glass swing door	1990 mm	1 unit	60-80-01/100
Glass sliding door	1900 mm	1 unit	60-80-01/200

- ! The Fundo Trollo *libero* can be positioned anywhere in the room.
- ! The glass door can only be mounted after tiling.

2 x labour

- Fundo Trollo *libero*, designer shower
  - 1 floor element
  - 2 wall segments type "A"
  - 1 wall segment type "B"
  - 1 wall segment type "E" (with reinforcement for fittings and shower head)
  - 1 wall segment type "F" (with reinforcement for installing the shower rail)
  - 1 wall segment type "G"
  - 1 inspection board (BA 40)
  - 5 springs
  - 2 x 25 m joint reinforcement tape, self-adhesive
  - 4 pieces wedi 610, adhesive sealant

m<sup>2</sup> Fundo Trollo *libero*, designer shower:

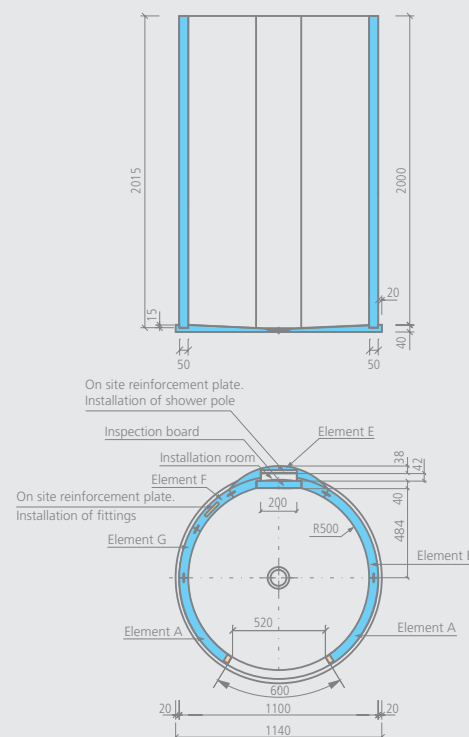
- Inside wall: approx. 5.30 m<sup>2</sup>
- Outside wall: approx. 6.10 m<sup>2</sup>
- Floor: approx. 0.80 m<sup>2</sup>

Extension collar:

- Inside wall: approx. 1.60 m<sup>2</sup>
- Outside wall: approx. 1.80 m<sup>2</sup>

## Technical drawings

Fundo Trollo *libero*, designer shower



Fundo Trollo *libero*, extension collar

