

## Fundo floor elements with channel drain

Please note:  
Matching drain,  
profile and drain cover.  
Order now!

### wedi Fundo *Riolito* | floor element, with laterally integrated channel drain, square



Description

wedi Fundo Riolito, floor element,  
with laterally integrated channel drain, square

wedi Fundo Riolito, floor element,  
with laterally integrated channel drain, square

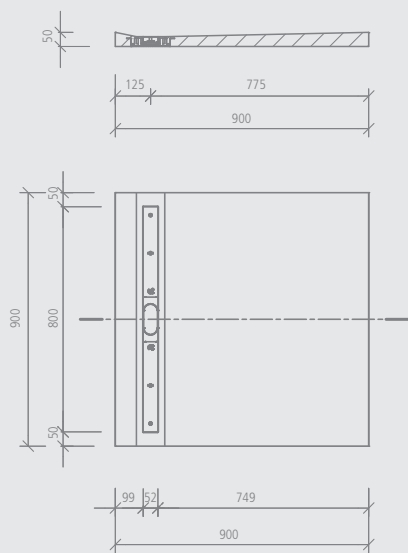
External dimensions: Width x length x height	Channel length	Order no.
900 x 900 x 50 mm	800 mm ②	07-37-34/354
1200 x 1200 x 50 mm	1100 mm	07-37-34/355



Fundo Riolito floor element Width	Matching Riolito drain cover Length
900 mm	800 mm
1200 mm	1100 mm

- ! • One packing unit = 10 pieces; all Fundo floor elements combinable, individual purchase possible!
  - The Riolito standard cover includes a set of screws which are 19 mm long. The covers Riolito exclusive and Riolito tileable each contain a 15 mm long screw set.
  - Cannot be combined with Fundo Primo Easy Sets!
  - Only wedi drainage systems for Fundo can be installed with Fundo floor elements.
  - The figures ①, ② and ③ mark the matching combinations with Fundo Riolito Discreto.
- 📦 • 1 Fundo Riolito floor element
  - 3 frame clamping pieces
- 📐 • Fundo Riolito, floor element:
    - 900 x 900 mm: approx. 0.80 m<sup>2</sup>
    - 1200 x 1200 mm: approx. 1.44 m<sup>2</sup>

#### Technical drawings



# wedi Fundo *Riolito* | floor element, with laterally integrated channel drain, rectangular

Please note:  
Matching drain,  
profile and drain cover.  
Order now!



Fundo Riolito drain covers

Fundo Riolito floor element Width	Matching Riolito drain cover Length
800 mm	700 mm
900 mm	800 mm
1000 mm	900 mm
1200 mm	1100 mm

## Description

wedi Fundo Riolito, floor element,  
with laterally integrated channel drain, rectangular

wedi Fundo Riolito, floor element,  
with laterally integrated channel drain, rectangular

wedi Fundo Riolito, floor element,  
with laterally integrated channel drain, rectangular

wedi Fundo Riolito, floor element,  
with laterally integrated channel drain, rectangular

wedi Fundo Riolito, floor element,  
with laterally integrated channel drain, rectangular

wedi Fundo Riolito, floor element,  
with laterally integrated channel drain, rectangular

External dimensions:  
Width x length x height

Channel length

Order no.

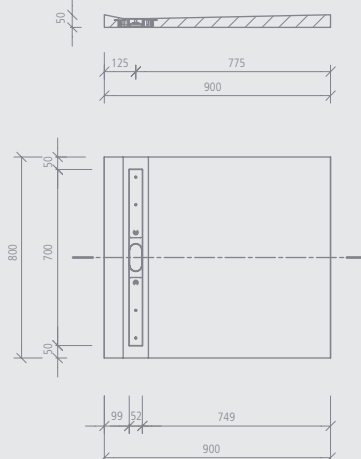
900 x 800 x 50 mm	700 mm ①	07-37-34/357
1200 x 800 x 50 mm	700 mm ①	07-37-34/351
1200 x 900 x 50 mm	800 mm ②	07-37-34/356
900 x 1000 x 50 mm	900 mm ③	07-37-34/350
1200 x 1000 x 50 mm	900 mm ③	07-37-34/352
900 x 1200 x 50 mm	1100 mm	07-37-34/353

- ! • One packing unit = 10 pieces; all Fundo floor elements combinable, individual purchase possible!
- The Riolito standard cover includes a set of screws which are 19 mm long. The covers Riolito exclusive and Riolito tileable each contain a 15 mm long screw set.
- Cannot be combined with Fundo Primo Easy Sets!
- Only wedi drainage systems for Fundo can be installed with Fundo floor elements.
- The figures ①, ② and ③ mark the matching combinations with Fundo Riolito Discreto.

- 👑 • 1 Fundo Riolito Floor element
- 3 frame clamping pieces

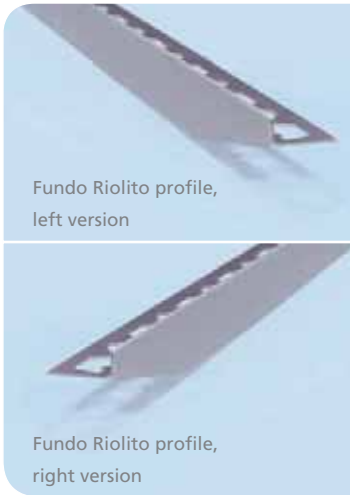
- 📐 m² Fundo Riolito, floor element:
  - 900 x 800 mm: approx. 0.75 m²
  - 1200 x 800 mm: approx. 1.00 m²
  - 1200 x 900 mm: approx. 1.10 m²
  - 900 x 1000 mm: approx. 1.00 m²
  - 1200 x 1000 mm: approx. 1.20 m²
  - 900 x 1200 mm: approx. 1.10 m²

## Technical drawings



# wedi Fundo *Riolito* profile | slope wedge, left/right version, stainless steel V<sub>2</sub>A

Suitable for:  
Fundo Riolito  
floor elements



Description	Thickness	Length	Packing unit / box	Order no.
wedi Fundo Riolito profile, slope wedge, left version, stainless steel V <sub>2</sub> A	8,0 mm	1200 mm	1 unit	10-61-00/008
wedi Fundo Riolito profile, slope wedge, left version, stainless steel V <sub>2</sub> A	10,0 mm	1200 mm	1 unit	10-61-00/010
wedi Fundo Riolito profile, slope wedge, left version, stainless steel V <sub>2</sub> A	12,5 mm	1200 mm	1 unit	10-61-00/012
wedi Fundo Riolito profile, slope wedge, left version, stainless steel V <sub>2</sub> A	8,0 mm	1200 mm	1 unit	10-61-10/008
wedi Fundo Riolito profile, slope wedge, left version, stainless steel V <sub>2</sub> A	10,0 mm	1200 mm	1 unit	10-61-10/010
wedi Fundo Riolito profile, slope wedge, left version, stainless steel V <sub>2</sub> A	12,5 mm	1200 mm	1 unit	10-61-10/012

- i** • The Fundo Riolito profile is suitable for Fundo Riolito floor elements with lengths of 1200 mm and 900 mm.
- !** • For technical reasons to do with printing, the colours here and the finishes on the profiles may differ.

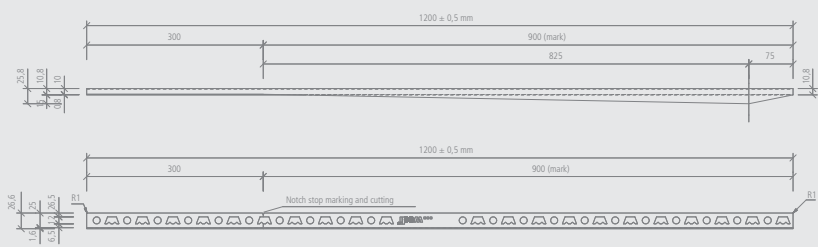
**Stainless steel profiles**

Brushed

Material / Application	Interior	Exterior	Wall	Floor
Stainless steel V <sub>2</sub> A	•	•		•

### Technical drawings

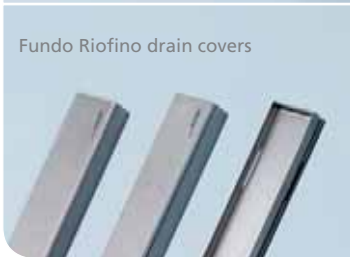
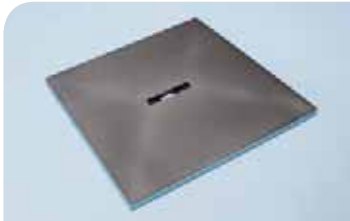
Fundo Riolito profile, left version



## Fundo floor elements with channel drain

### wedi Fundo *Riofino* | floor element, with central channel drain, square

Please note: Matching drain and drain cover. Order now!



Fundo Riofino drain covers

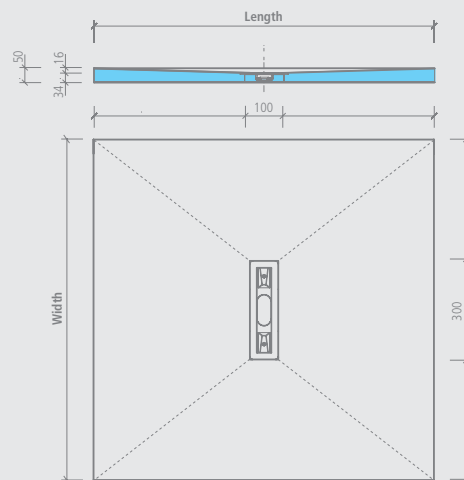
Description	Length x width x height	Channel length	Order no.
wedi Fundo Riofino, floor element, with central channel drain, square	900 x 900 x 50 mm	300 mm	07-37-34/170
wedi Fundo Riofino, floor element, with central channel drain, square	1000 x 1000 x 50 mm	300 mm	07-37-34/131
wedi Fundo Riofino, floor element, with central channel drain, square	1200 x 1200 x 50 mm	300 mm	07-37-34/171

- ! One packing unit = 10 pieces; all Fundo floor elements combinable, individual purchase possible!
- The Riofino standard cover includes a set of screws which are 19 mm long. The covers Riofino exclusive and Riofino tileable each contain a 15 mm long screw set.
- Cannot be combined with Fundo Primo Easy Sets!
- Only wedi drainage systems for Fundo can be installed with Fundo floor elements.

- 📦 1 Fundo Riofino floor element
- 2 frame clamping pieces

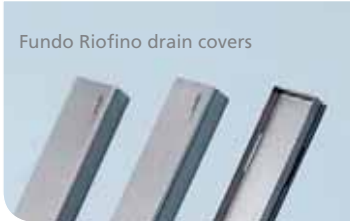
- 📐 **Fundo Riofino, floor element:**
  - 900 x 900 mm: approx. 0.81 m<sup>2</sup>
  - 1000 x 1000 mm: approx. 1.00 m<sup>2</sup>
  - 1200 x 1200 mm: approx. 1.44 m<sup>2</sup>

#### Technical drawings



# wedi Fundo *Riofino* | floor element, with central channel drain, rectangular

Please note: Matching drain and drain cover. Order now!



Fundo Riofino drain covers

Description	Length x width x height	Channel length	Order no.
wedi Fundo Riofino, floor element with central channel drain, rectangular	1200 x 900 x 50 mm	300 mm	07-37-34/174
wedi Fundo Riofino, floor element with central channel drain, rectangular	1800 x 900 x 50 mm	300 mm	07-37-34/580

- ! • One packing unit = 10 pieces; all Fundo floor elements combinable, individual purchase possible!
  - ! • The Riofino standard cover includes a set of screws which are 19 mm long. The covers Riofino exclusive and Riofino tileable each contain a 15 mm long screw set.
  - ! • Cannot be combined with Fundo Primo Easy Sets!
  - ! • Only wedi drainage systems for Fundo can be installed with Fundo floor elements.
- 👉 • 1 Fundo Riofino floor element
  - 👉 • 2 frame clamping pieces
- m<sup>2</sup> Fundo Riofino, floor element:
    - 1200 x 900 mm: approx. 1.08 m<sup>2</sup>
    - 1800 x 900 mm: approx. 1.62 m<sup>2</sup>

