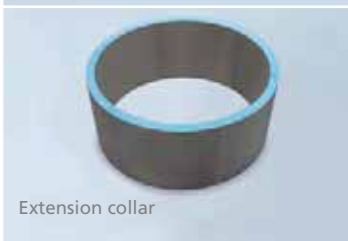


Fundo floor elements / wall elements / designer showers

wedi Fundo *Trollo* | wall element



Fundo Trollo, wall element



Extension collar



Fundo Trollo wall element with glass swinging door

Description	Height	Packing unit	Order no.
wedi Fundo Trollo, wall element	2015 mm	1 unit	04-17-09/002

Options			
Extension collar	500 mm	1 unit	04-17-09/052
Glass swing door	1990 mm	1 unit	60-80-01/100
Glass sliding door	1900 mm	1 unit	60-80-01/200

! The glass door can only be mounted after tiling.

🔧 Fundo Trollo, wall element:

- 2 Wall segments type "A"
- 3 wall segments type "B"
- 5 springs
- 2 x 25 m self adhesive joint reinforcement tape
- 3 x wedi 610, adhesive sealant

m² Fundo Trollo, wall element:

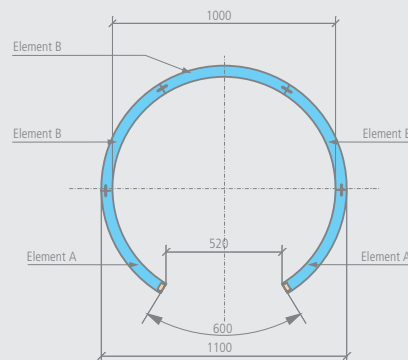
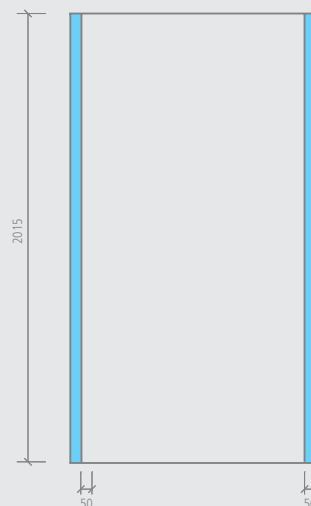
- Inside wall: approx. 5.30 m²
- Outside wall: approx. 6.00 m²

Extension collar:

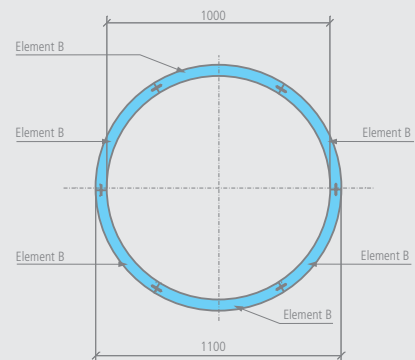
- Inside wall: approx. 1.60 m²
- Outside wall: approx. 1.80 m²

Technical drawings

Fundo Trollo, wall element



Fundo Trollo, extension collar

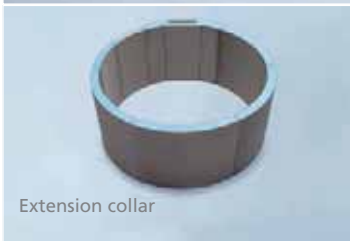


wedi Fundo Trollo *libero* | designer shower

Drain included in price! Please select a suitable drain.



Fundo Trollo *libero*, designer shower



Extension collar



Fundo Trollo *libero*, designer shower, with glass swing door

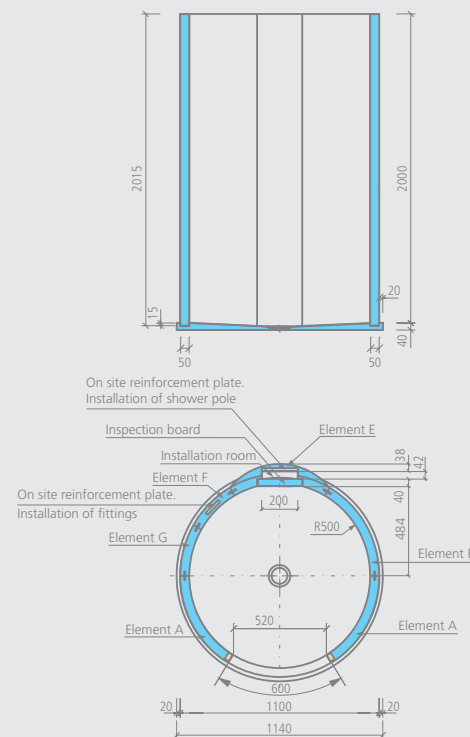
Description	Height	Packing unit	Order no.
wedi Fundo Trollo <i>libero</i> , designer shower 1 set: floor element, drain and wall element	2040 mm	1 unit	07-37-63/100

Options			
Extension collar	500 mm	1 unit	04-17-09/053
Glass swing door	1990 mm	1 unit	60-80-01/100
Glass sliding door	1900 mm	1 unit	60-80-01/200

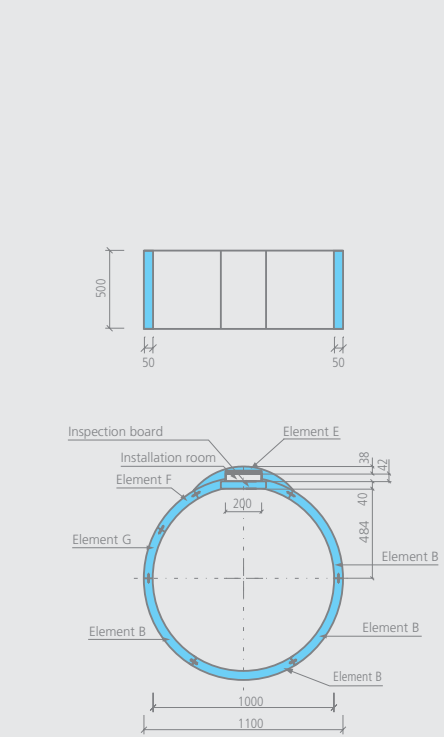
- ! • The Fundo Trollo *libero* can be positioned anywhere in the room. 2 x labour
- The glass door can only be mounted after tiling.
- Fundo Trollo *libero*, designer shower:**
 - Inside wall: approx. 5.30 m²
 - Outside wall: approx. 6.10 m²
 - Floor: approx. 0.80 m²
- Extension collar:**
 - Inside wall: approx. 1.60 m²
 - Outside wall: approx. 1.80 m²
- Fundo Trollo *libero*, designer shower**
 - 1 floor element
 - 2 wall segments type "A"
 - 1 wall segment type "B"
 - 1 wall segment type "E" (with reinforcement for fittings and shower head)
 - 1 wall segment type "F" (with reinforcement for installing the shower rail)
 - 1 wall segment type "G"
 - 1 inspection board (BA 40)
 - 5 springs
 - 2 x 25 m joint reinforcement tape, self-adhesive
 - 4 pieces wedi 610, adhesive sealant

Technical drawings

Fundo Trollo *libero*, designer shower



Fundo Trollo *libero*, extension collar

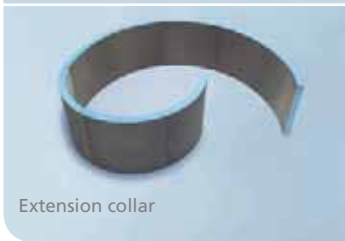


Fundo floor elements / wall elements / designer showers

wedi Fundo *Nautilo* | wall element



Fundo Nautilo, wall element



Extension collar

Description	Height	Packing unit	Order no.
wedi Fundo Nautilo, wall element	2015 mm	1 unit	04-17-08/000
Options			
Extension collar	500 mm	1 unit	04-17-08/052

! The Fundo Nautilo wall element can be installed for right or left entry.

🔧 Fundo Nautilo wall element:

- 1 type "A" wall segment
- 2 type "B" wall segments
- 4 type "C" wall segments
- 1 type "D" wall segment
- 7 springs
- 2 x 25 m self-adhesive sealing tape
- 4 wedi 610 adhesive sealant

m² Fundo Nautilo, wall element:

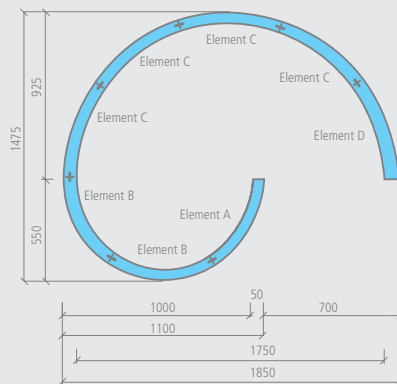
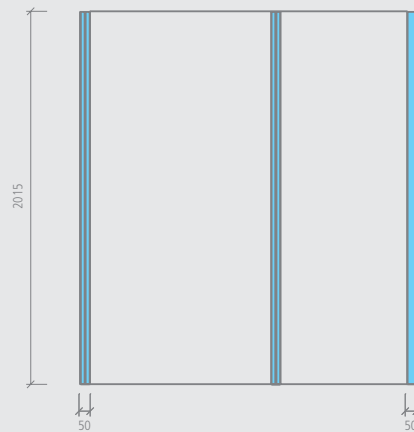
- Inside wall: approx. 8.70 m²
- Outside wall: approx. 9.60 m²

Extension collar:

- Inside wall: approx. 2.15 m²
- Outside wall: approx. 2.40 m²

Technical drawings

Fundo Nautilo, wall element



Fundo Nautilo, extension collar

