

Fundo *Primo* | square floor element, for central drain

Please note: Matching drain (from page 36). Order now!



Description	Length x width x thickness	Order no.
Fundo Primo, square floor element, for central drain	900 x 900 x 40 mm	07-37-35/170
Fundo Primo, square floor element, for central drain	1000 x 1000 x 40 mm	07-37-35/131
Fundo Primo, square floor element, for central drain	1200 x 1200 x 40 mm	07-37-35/171
Fundo Primo, square floor element, for central drain	1500 x 1500 x 40 mm	07-37-35/175

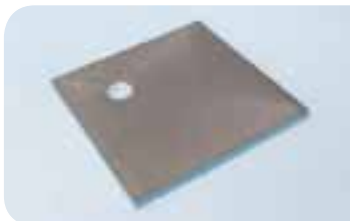
! • One packing unit = 10 pieces; all Fundo floor elements combinable, individual purchase possible!
 • Individually customised Fundo floor elements can be found on page 32.
 • Matching drains can be found from page 36.

m² Fundo Primo, floor element, for central drain:

- 900 x 900 mm: approx. 0.80 m²
- 1000 x 1000 mm: approx. 1.00 m²
- 1200 x 1200 mm: approx. 1.44 m²
- 1500 x 1500 mm: approx. 2.25 m²

Fundo *Primo* | square floor element, for offset drain

Please note: Matching drain (from page 36). Order now!



Description	Length x width x thickness	Order no.
Fundo Primo, floor element, square, for offset drain	900 x 900 x 40 mm	07-37-36/170
Fundo Primo, floor element, square, for offset drain	1000 x 1000 x 40 mm	07-37-35/531
Fundo Primo, floor element, square, for offset drain	1200 x 1200 x 40 mm	07-37-36/171
Fundo Primo, floor element, square, for offset drain	1500 x 1500 x 40 mm	07-37-36/175

! • One packing unit = 10 pieces; all Fundo floor elements combinable, individual purchase possible!
 • Individually customised Fundo floor elements can be found on page 32.
 • Matching drains can be found from page 36.

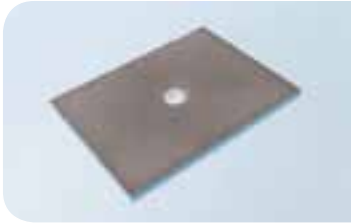
m² Fundo Primo, floor element, for offset drain:

- 900 x 900 mm: approx. 0.80 m²
- 1000 x 1000 mm: approx. 1.00 m²
- 1200 x 1200 mm: approx. 1.44 m²
- 1500 x 1500 mm: approx. 2.25 m²

Technical drawings
 Drain position

Fundo *Primo* | rectangular floor element, for central drain

Please note:
Matching drain
(from page 36).
Order now!



Description	Length x width x thickness	Order no.
Fundo Primo, floor element, rectangular, for central drain	1200 x 900 x 40 mm	07-37-35/174
Fundo Primo, floor element, rectangular, for central drain	1400 x 900 x 40 mm	07-37-35/196
Fundo Primo, floor element, rectangular, for central drain	1500 x 900 x 40 mm	07-37-36/120
Fundo Primo, floor element, rectangular, for central drain	1800 x 900 x 40 mm	07-37-35/580
Fundo Primo, floor element, rectangular, for central drain	1400 x 1000 x 40 mm	07-37-35/198
Fundo Primo, floor element, rectangular, for central drain	1500 x 1000 x 40 mm	07-37-36/121
Fundo Primo, floor element, rectangular, for central drain	900 x 750 x 40 mm	07-37-35/176

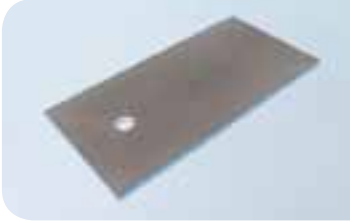
- ! • One packing unit = 10 pieces; all Fundo floor elements combinable, individual purchase possible!
- Individually customised Fundo floor elements can be found on page 32.
- Matching drains can be found from page 36.

- m² Fundo Primo, floor element, for central drain:
 - 1200 x 900 mm: approx. 1.08 m²
 - 1400 x 900 mm: approx. 1.26 m²
 - 1500 x 900 mm: approx. 1.35 m²
 - 1800 x 900 mm: approx. 1.62 m²
 - 1400 x 1000 mm: approx. 1.40 m²
 - 1500 x 1000 mm: approx. 1.50 m²
 - 900 x 750 mm: approx. 0.68 m²

Fundo floor elements

Fundo *Primo* | rectangular floor element, for offset drain

Please note: Matching drain (from page 36). Order now!



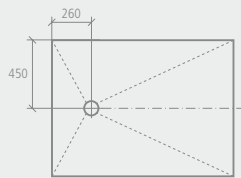
Description	Length x width x thickness	Order no.
Fundo Primo, rectangular floor element, for offset drain	1200 x 900 x 40 mm	07-37-36/174
Fundo Primo, rectangular floor element, for offset drain	1800 x 900 x 40 mm	07-37-35/180

- ! One packing unit = 10 pieces; all Fundo floor elements combinable, individual purchase possible!
- Individually customised Fundo floor elements can be found on page 32.
- Matching drains can be found from page 36.

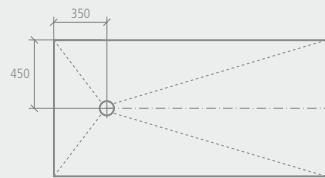
- m² Fundo Primo, floor element, for offset drain:
 - 1200 x 900 mm: approx. 1.08 m²
 - 1800 x 900 mm: approx. 1.62 m²

Technical drawings

Drain position for 1200 x 900 mm

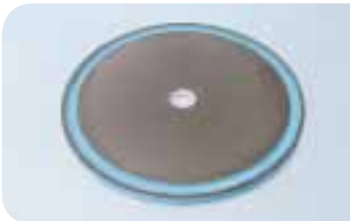


Drain position for 1800 x 900 mm



Fundo *Trollo* | floor element, for central drain

Please note: Matching drain (from page 36). Order now!

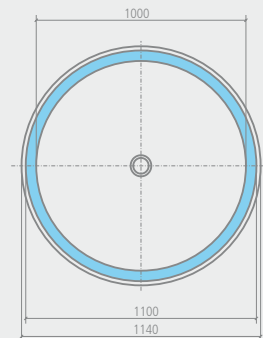


Description	External diameter x thickness	Order no.
Fundo Trollo, floor element	Ø 1140 x 40 mm	07-37-36/575

- ! One packing unit = 10 pieces; all Fundo floor elements combinable, individual purchase possible!
- Matching drains can be found from page 36.
- Matching wall elements can be found on page 49.

- m² Fundo Trollo, floor element: approx. 0.80 m²

Technical drawings



Fundo *Borgo* | floor element, for offset drain

Please note:
Matching drain
(from page 36).
Order now!



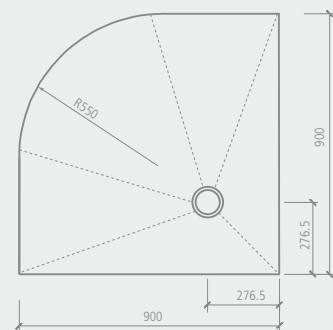
Description	Length x width x thickness	Order no.
Fundo Borgo, floor element	900 x 900 x 40 mm	07-37-35/576
Fundo Borgo, floor element	1000 x 1000 x 40 mm	07-37-36/576

- ! One packing unit = 10 pieces; all Fundo floor elements combinable, individual purchase possible!
- Matching drains can be found from page 36.

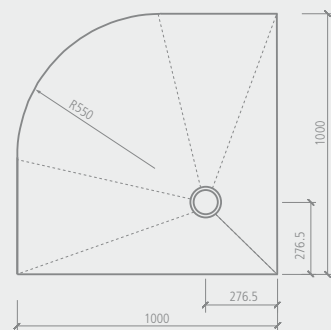
- m² Fundo Borgo, floor element:
 - 900 x 900 mm: approx. 0.80 m²
 - 1000 x 1000 mm: approx. 1.00 m²

Technical drawings

Fundo Borgo 900 x 900 mm



Fundo Borgo 1000 x 1000 mm



Fundo *Nautilo* | floor element, right entry

Please note:
Matching drain
(from page 36).
Order now!

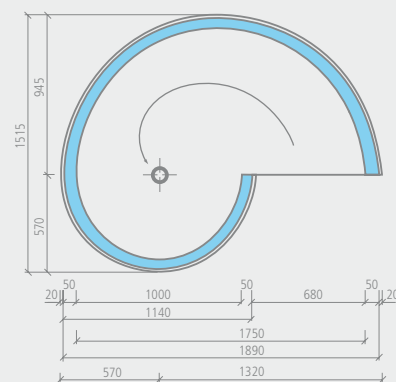


Description	Length x width x thickness	Order no.
Fundo Nautilo, floor element, right entry	1890 x 1515 x 50 mm	07-37-36/066

- ! One packing unit = 10 pieces; all Fundo floor elements combinable, individual purchase possible!
- Matching drains can be found from page 36.
- The appropriate wall elements can be found on page 50.

- m² Fundo Nautilo, floor element:
approx. 1.60 m²

Technical drawings



Fundo floor elements

Fundo *Nautilo* | floor element, left entry

Please note:
Matching drain
(from page 36).
Order now!



Description

Fundo Nautilo, floor element,
left entry

Length x width x thickness

1890 x 1515 x 50 mm

Order no.

07-37-36/065

- ! • One packing unit = 10 pieces; all Fundo floor elements combinable, individual purchase possible!
- Matching drains can be found from page 36.
- Matching wall elements can be found on page 50.

m² Fundo Nautilo, floor element:
approx. 1.60 m²

Technical drawings

