

wedi Fundo *Primo* | square floor element, central drain

Please note:
Matching drain.
Order now!



Description	Length x width x thickness	Packing unit / palette	Order no.
wedi Fundo Primo, square floor element, central drain	900 x 900 x 40 mm	10 units	07-37-35/170
wedi Fundo Primo, square floor element, central drain	1000 x 1000 x 40 mm	10 units	07-37-35/131
wedi Fundo Primo, square floor element, central drain	1200 x 1200 x 40 mm	10 units	07-37-35/171
wedi Fundo Primo, square floor element, central drain	1500 x 1500 x 40 mm	10 units	07-37-35/175

- ! • One packing unit = 10 pieces; all Fundo floor elements combinable, individual purchase possible!
- Only wedi drainage systems for Fundo can be installed with Fundo floor elements.

- m²** Fundo Primo, floor element, central drain:
- 900 x 900 mm: approx. 0.80 m²
 - 1000 x 1000 mm: approx. 1.00 m²
 - 1200 x 1200 mm: approx. 1.44 m²
 - 1500 x 1500 mm: approx. 2.25 m²

wedi Fundo *Primo* | square floor element, offset drain

Please note:
Matching drain.
Order now!



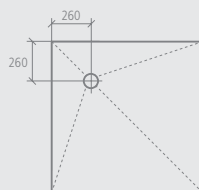
Description	Length x width x thickness	Packing unit / palette	Order no.
wedi Fundo Primo, square floor element, offset drain	900 x 900 x 40 mm	10 units	07-37-36/170
wedi Fundo Primo, square floor element, offset drain	1000 x 1000 x 40 mm	10 units	07-37-35/531
wedi Fundo Primo, square floor element, offset drain	1200 x 1200 x 40 mm	10 units	07-37-36/171
wedi Fundo Primo, square floor element, offset drain	1500 x 1500 x 40 mm	10 units	07-37-36/175

- ! • One packing unit = 10 pieces; all Fundo floor elements combinable, individual purchase possible!
- Only wedi drainage systems for Fundo can be installed with Fundo floor elements.

- m²** Fundo Primo, floor element, offset drain:
- 900 x 900 mm: approx. 0.80 m²
 - 1000 x 1000 mm: approx. 1.00 m²
 - 1200 x 1200 mm: approx. 1.44 m²
 - 1500 x 1500 mm: approx. 2.25 m²

Technical drawings

Drain position



Fundo floor elements / wall elements / designer showers

wedi Fundo *Primo* |
rectangular floor element, central drain

Please note:
Matching drain.
Order now!



Description	Length x width x thickness	Packing unit / palette	Order no.
wedi Fundo Primo, floor element, rectangular, central drain	900 x 750 x 40 mm	10 units	07-37-35/176
wedi Fundo Primo, floor element, rectangular, central drain	1200 x 900 x 40 mm	10 units	07-37-35/174
wedi Fundo Primo, floor element, rectangular, central drain	1400 x 900 x 40 mm	10 units	07-37-35/196
wedi Fundo Primo, floor element, rectangular, central drain	1500 x 900 x 40 mm	10 units	07-37-36/120
wedi Fundo Primo, floor element, rectangular, central drain	1800 x 900 x 40 mm	10 units	07-37-35/580
wedi Fundo Primo, floor element, rectangular, central drain	1400 x 1000 x 40 mm	10 units	07-37-35/198
wedi Fundo Primo, floor element, rectangular, central drain	1500 x 1000 x 40 mm	10 units	07-37-36/121

! • One packing unit = 10 pieces; all Fundo floor elements combinable, individual purchase possible!
• Only wedi drainage systems for Fundo can be installed with Fundo floor elements.

m² Fundo Primo, floor element, central drain:

- 1200 x 900 mm: approx. 1.08 m²
- 1400 x 900 mm: approx. 1.26 m²
- 1500 x 900 mm: approx. 1.35 m²
- 1800 x 900 mm: approx. 1.62 m²
- 1400 x 1000 mm: approx. 1.40 m²
- 1500 x 1000 mm: approx. 1.50 m²
- 900 x 750 mm: approx. 0.68 m²

wedi Fundo *Primo* | rectangular floor element, offset drain

Please note:
Matching drain.
Order now!



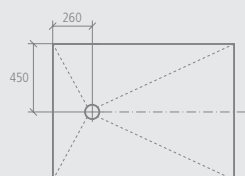
Description	Length x width x thickness	Packing unit / palette	Order no.
wedi Fundo Primo, floor element rectangular, offset drain	1200 x 900 x 40 mm	10 units	07-37-36/174
wedi Fundo Primo, floor element rectangular, offset drain	1800 x 900 x 40 mm	10 units	07-37-35/180

- ! One packing unit = 10 pieces; all Fundo floor elements combinable, individual purchase possible!
- Only wedi drainage systems for Fundo can be installed with Fundo floor elements.

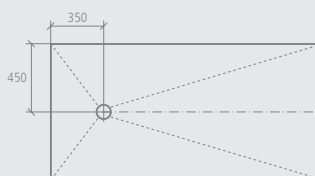
- m² Fundo Primo, floor element, offset drain:
 - 1200 x 900 mm: approx. 1.08 m²
 - 1800 x 900 mm: approx. 1.62 m²

Technical drawings

Drain position for 1200 x 900 mm

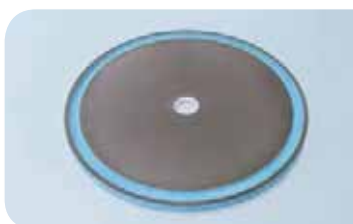


Drain position for 1800 x 900 mm



wedi Fundo *Trollo* | floor element, central drain

Please note:
Matching drain.
Order now!

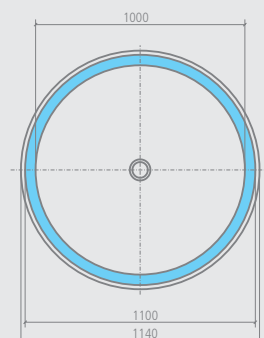


Description	External diameter x thickness	Packing unit / palette	Order no.
wedi Fundo Trollo, floor element	Ø 1140 x 40 mm	10 units	07-37-36/575

- ! One packing unit = 10 pieces; all Fundo floor elements combinable, individual purchase possible!
- Only wedi drainage systems for Fundo can be installed with Fundo floor elements.

- m² Fundo Trollo, floor element: approx. 0.80 m²

Technical drawings



Fundo floor elements / wall elements / designer showers

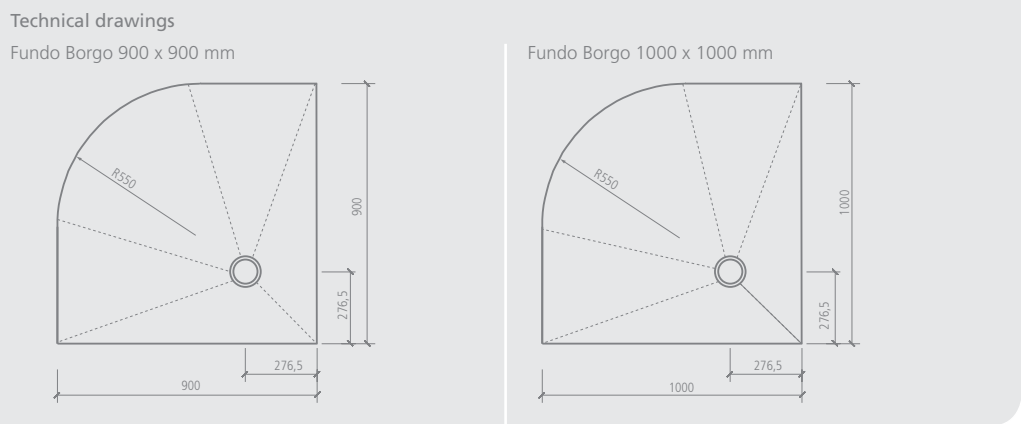
wedi Fundo *Borgo* | floor element, offset drain

Please note: Matching drain. Order now!



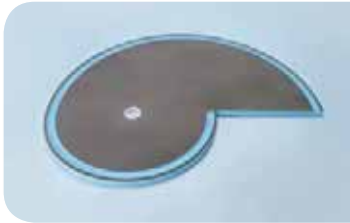
Description	Length x width x thickness	Packing unit / palette	Order no.
wedi Fundo Borgo, floor element	900 x 900 x 40 mm	10 units	07-37-35/576
wedi Fundo Borgo, floor element	1000 x 1000 x 40 mm	10 units	07-37-36/576

- One packing unit = 10 pieces; all Fundo floor elements combinable, individual purchase possible!
- Only wedi drainage systems for Fundo can be installed with Fundo floor elements.
- m²** Fundo Borgo, floor element:
 - 900 x 900 mm: approx. 0.80 m²
 - 1000 x 1000 mm: approx. 1.00 m²



wedi Fundo *Nautilo* | floor element, right entry

Please note:
Matching drain.
Order now!



Description

wedi Fundo Nautilo, floor element,
right entry

Length x width x thickness

Packing unit / palette

Order no.

1890 x 1515 x 50 mm

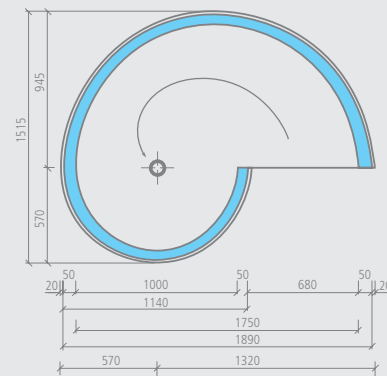
10 units

07-37-36/066

- ! One packing unit = 10 pieces; all Fundo floor elements combinable, individual purchase possible!
- Only wedi drainage systems for Fundo can be installed with Fundo floor elements.

m² Fundo Nautilo, floor element:
approx. 1.60 m²

Technical drawings



wedi Fundo *Nautilo* | floor element, left entry

Please note:
Matching drain.
Order now!



Description

wedi Fundo Nautilo, floor element,
left entry

Length x width x thickness

Packing unit / palette

Order no.

1890 x 1515 x 50 mm

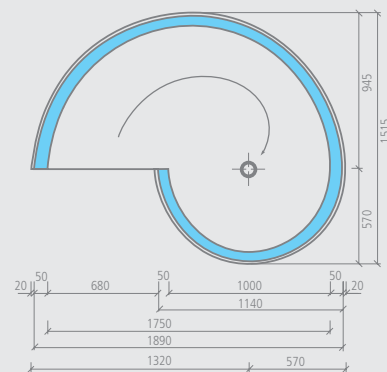
10 units

07-37-36/065

- ! One packing unit = 10 pieces; all Fundo floor elements combinable, individual purchase possible!
- Only wedi drainage systems for Fundo can be installed with Fundo floor elements.

m² Fundo Nautilo, floor element:
approx. 1.60 m²

Technical drawings



wedi Fundo sealing set



Description	Packing unit	Order no.
wedi Fundo sealing set	1 bucket	07-37-96/000

! • A Fundo sealing set is sufficient for installing a Fundo floor element including the respective wall elements.

- 🔧 • 2.4 kg powder component
- 1.2 kg liquid component
- 10 m sealing tape
- 2 inside corners

wedi Fundo *Primo Easy Set* | square, central drain

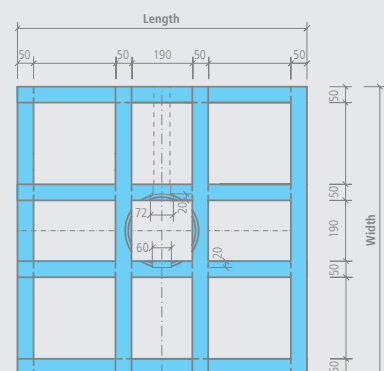


Description	Length x width x height	Packing unit/palette	Order no.
wedi Fundo Primo Easy Set, square, central drain	900 x 900 x 100 mm	24 units	07-37-23/000
wedi Fundo Primo Easy Set, square, central drain	1000 x 1000 x 100 mm	25 units	07-37-24/131
wedi Fundo Primo Easy Set, square, central drain	1200 x 1200 x 100 mm	25 units	07-37-24/000
wedi Fundo Primo Easy Set, square, central drain	1500 x 1500 x 100 mm	35 units	07-37-24/175

! • Fundo Primo Easy Set is also supplied as a construction kit.
• It must be glued using wedi 610 adhesive sealant.

🔧 • 1 Fundo Primo Easy Set, quick installation of base element

Technical drawings



Assembly materials/accessories for Fundo floor elements

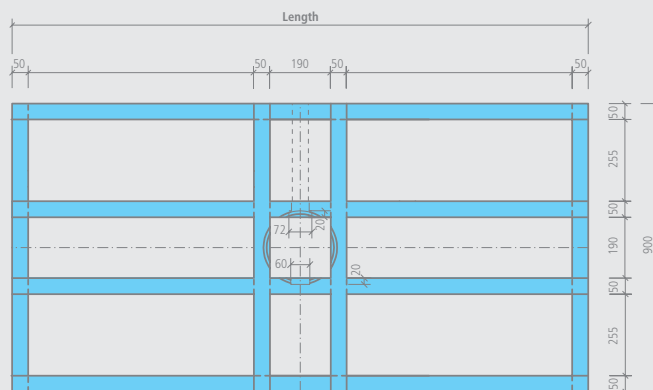
wedi Fundo *Primo Easy Set* | rectangular, central drain



Description	Length x width x height	Packing unit/palette	Order no.
wedi Fundo Primo Easy Set, rectangular, central drain	1200 x 900 x 100 mm	24 units	07-37-24/174
wedi Fundo Primo Easy Set, rectangular, central drain	1800 x 900 x 100 mm	24 units	07-37-23/580

- ! • Fundo Primo Easy Set is also supplied as a construction kit.
- It must be glued using wedi 610 adhesive sealant.
- + • 1 Fundo Primo Easy Set, quick installation of base element

Technical drawings



wedi Fundo *Primo Easy Set* | rectangular, offset drain



Description	Length x width x height	Packing unit/palette	Order no.
wedi Fundo Primo Easy Set, rectangular, offset drain	1800 x 900 x 100 mm	24 units	07-37-23/180

- ! • Fundo Primo Easy Set is also supplied as a construction kit.
- It must be glued using wedi 610 adhesive sealant.
- + • 1 Fundo Primo Easy Set, quick installation of base element

Technical drawings

