

Fundo *Trollo* | designer shower

Please note:
Order the matching drain
(from p. 36) and drain cover
(from p. 45).



Fundo Trollo, designer shower



Extension collar



Fundo Trollo, designer shower with glass swing door

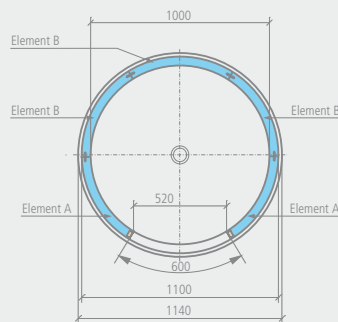
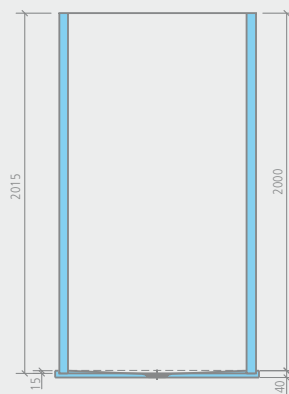
Description	Dimensions	Packing unit	Order no.
Fundo Trollo, designer shower consisting of:			
Fundo Trollo, wall element	2015 mm (Height)	1 unit	04-17-09/000
Fundo Trollo, floor element	1140 x 40 mm (Ø x H)	1 unit	07-37-36/575

Options	Dimensions	Packing unit	Order no.
Extension collar	500 mm	1 unit	04-17-09/050
Glass swing door	1990 mm	1 unit	60-80-01/100

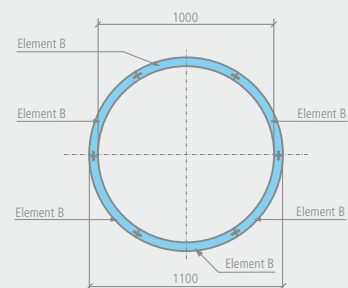
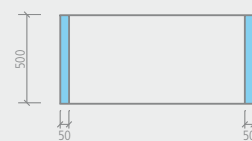
- ! The glass door can only be mounted after tiling.
- ! 2 x labour
- Fundo Trollo, designer shower:
 - 1 floor element
 - 2 wall segments type "A"
 - 3 wall segments type "B"
 - 4 springs
 - 2 x 25 m self adhesive joint reinforcement tape
 - 3 x wedi 610, adhesive sealant
 - Fundo Trollo, designer shower:
 - Inside wall: approx. 6.10 m²
 - Outside wall: approx. 6.90 m²
 - Floor: approx. 0.80 m²
 - Extension collar:
 - Inside wall: approx. 1.60 m²
 - Outside wall: approx. 1.80 m²

Technical drawings

Fundo Trollo, designer shower



Fundo Trollo, extension collar



Fundo Trollo *libero* | designer shower

Drain included in price! Please select a suitable drain from page 36.



Fundo Trollo *libero*, designer shower



Extension collar



Fundo Trollo *libero*, designer shower, with glass swing door

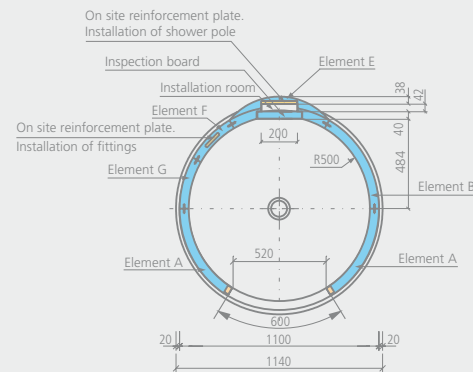
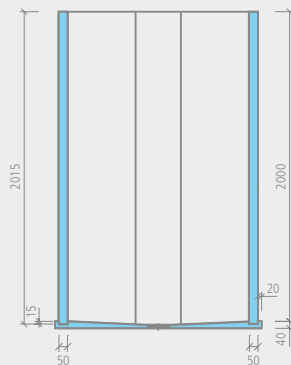
Description	Height	Packing unit	Order no.
Fundo Trollo <i>libero</i> , designer shower	2040 mm	1 unit	07-37-63/100

Options			
Extension collar	500 mm	1 unit	04-17-09/051
Glass swing door	1990 mm	1 unit	60-80-01/100

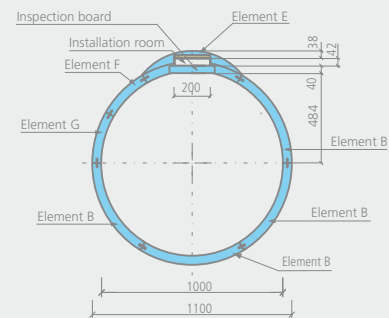
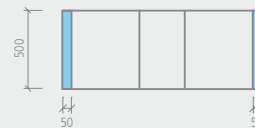
- ! • The Fundo Trollo *libero* can be positioned anywhere in the room.
- ! • The glass door can only be mounted after tiling.
- 👷 2 x labour
- 📐 **Fundo Trollo *libero*, designer shower:**
 - Inside wall: approx. 6.10 m²
 - Outside wall: approx. 6.90 m²
 - Floor: approx. 0.80 m²
- Extension collar:**
 - Inside wall: approx. 1.60 m²
 - Outside wall: approx. 1.80 m²
- 🔧 **Fundo Trollo *libero*, designer shower**
 - 1 floor element
 - 2 wall segments type "A"
 - 1 wall segment type "B"
 - 1 wall segment type "E" (with reinforcement for fittings and shower head)
 - 1 wall segment type "F" (with reinforcement for installing the shower rail)
 - 1 wall segment type "G"
 - 1 inspection board (BA 40)
 - 5 springs
 - 2 x 25 m joint reinforcement tape, self-adhesive
 - 4 pieces wedi 610, adhesive sealant

Technical drawings

Fundo Trollo *libero*, designer shower



Fundo Trollo *libero*, extension collar



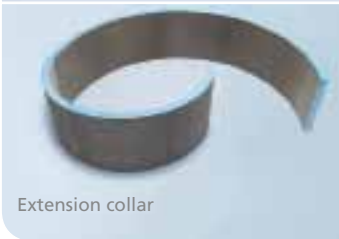
Fundo designer showers

Please note:
Matching drain
(from page 36).
Order now!

Fundo *Nautilo* | designer shower, right entry



Fundo Nautilo, designer shower, right entry



Extension collar

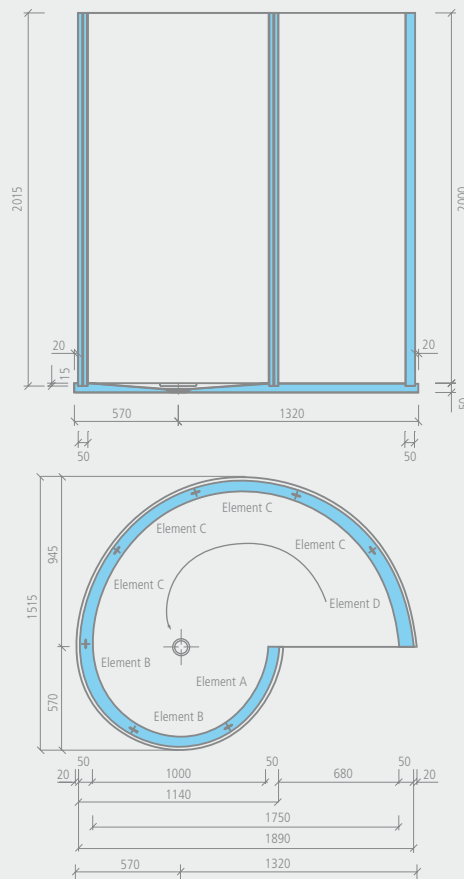
Description	Dimensions	Packing unit	Order no.
Fundo Nautilo, designer shower, right entry, consisting of:			
Fundo Nautilo, wall element	2015 mm (Height)	1 unit	04-17-08/000
Fundo Nautilo, floor element, right entry	1890 x 1515 x 50 mm (LxWxH)	1 unit	07-37-36/066
Options			
Extension collar	500 mm	1 unit	04-17-08/050

- Fundo Nautilo, designer shower:**
- 1 floor element, entry on the right
 - 1 wall segment type "A"
 - 2 wall segments type "B"
 - 4 wall segments type "C"
 - 1 wall segments type "D"
 - 7 springs
 - 2 x 25 m self-adhesive joint reinforcement tape
 - 4 pieces wedi 610, adhesive sealant

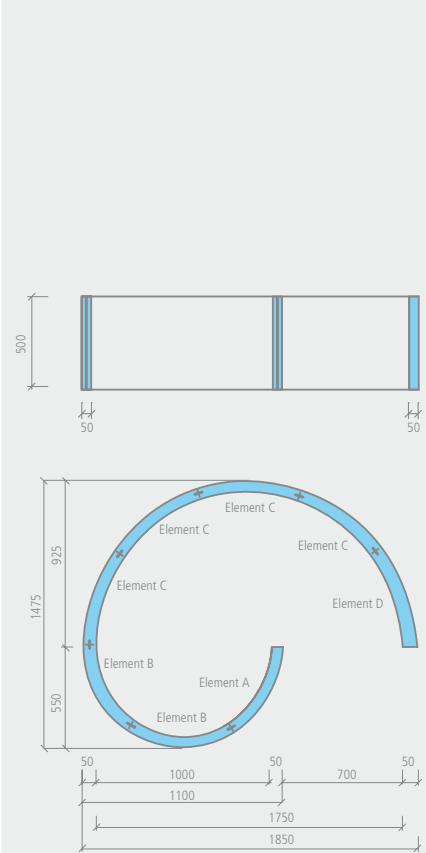
- 2 x labour**
- Fundo Nautilo, designer shower:**
- Inside wall: approx. 10.24 m²
 - Outside wall: approx. 11.50 m²
 - Floor: approx. 1.60 m²
- Extension collar:**
- Inside wall: approx. 2.20 m²
 - Outside wall: approx. 2.50 m²

Technical drawings

Fundo Nautilo, designer shower



Fundo Nautilo, extension collar

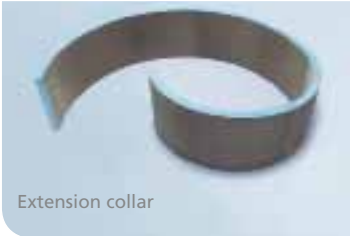


Please note:
Matching drain
(from page 36).
Order now!

Fundo Nautilo | designer shower, left entry



Fundo Nautilo, designer shower, left entry



Extension collar

Description	Dimensions	Packing unit	Order no.
Fundo Nautilo, designer shower, left entry, consisting of:			
Fundo Nautilo, wall element	2015 mm (Height)	1 unit	04-17-08/000
Fundo Nautilo, floor element, left entry	1890 x 1515 x 50 mm (LxWxH)	1 unit	07-37-36/065
Options			
Extension collar	500 mm	1 unit	04-17-08/050

Fundo Nautilo, designer shower:

- 1 floor element, entry on the left
- 1 wall segment type "A"
- 2 wall segments type "B"
- 4 wall segments type "C"
- 1 wall segments type "D"
- 7 springs
- 2 x 25 m self-adhesive joint reinforcement tape
- 4 pieces wedi 610, adhesive sealant

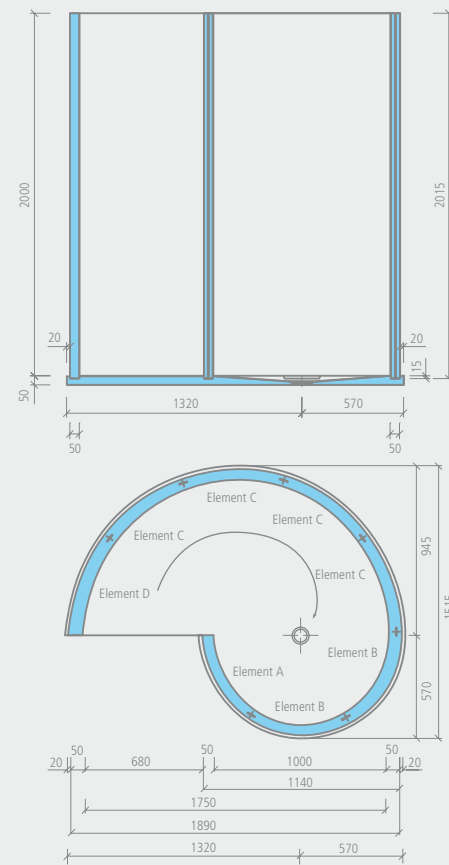
2 x labour

Fundo Nautilo, designer shower:

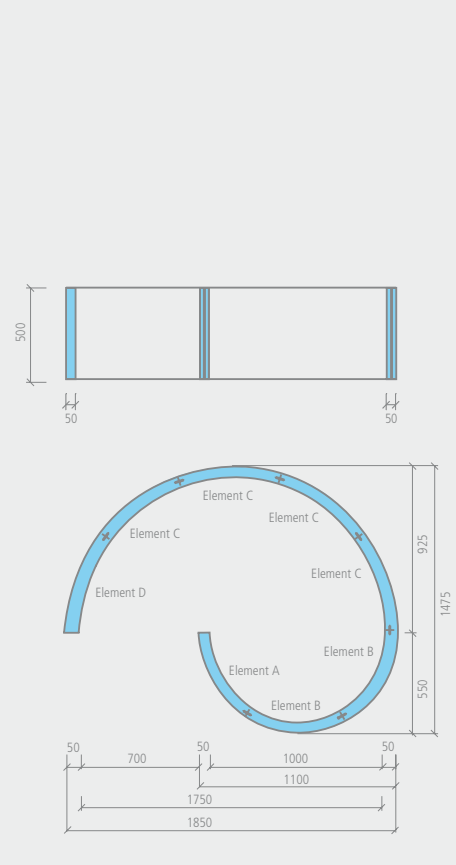
- Inside wall: approx. 10.24 m²
 - Outside wall: approx. 11.50 m²
 - Floor: approx. 1.60 m²
- Extension collar:**
- Inside wall: approx. 2.20 m²
 - Outside wall: approx. 2.50 m²

Technical drawings

Fundo Nautilo, designer shower



Fundo Nautilo, extension collar



Fundo designer showers

Drain included in price! Please select a suitable drain from page 36.

Fundo *Nautilo libero* | designer shower, right entry



Fundo Nautilo *libero*, designer shower, entry on the right



Extension collar

Description	Height	Packing unit	Order no.
Fundo Nautilo <i>libero</i> , designer shower, right entry	2050 mm	1 unit	07-37-50/100
Fundo Nautilo, floor element, right entry	1890 x 1515 mm (LxW)	1 unit	07-37-36/066

Options			
Extension collar	500 mm	1 unit	04-17-08/051

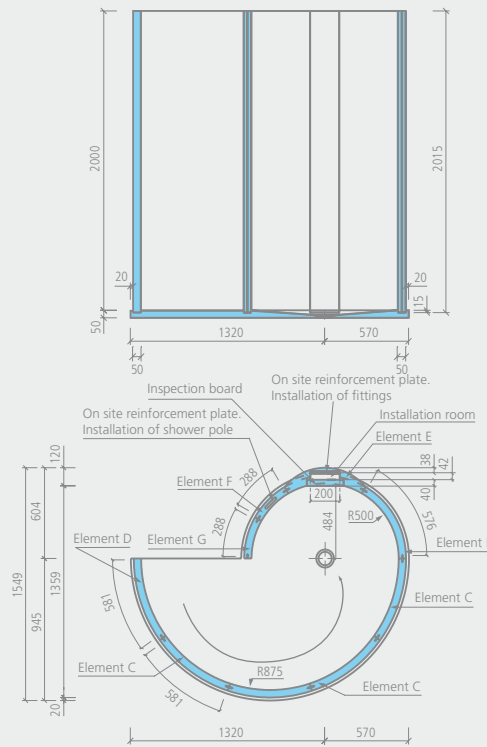
! The Fundo Nautilo *libero* can be positioned anywhere in the room. **i** 2 x labour

- m** Fundo Nautilo *libero*, designer shower:
- 1 floor element, entry on the right
 - 1 wall segment type "B"
 - 4 wall segments type "C"
 - 1 wall segment type "D"
 - 1 wall segment type "E"
 - 1 wall segment type "F"
 - 1 wall segment type "G"
 - 1 inspection board (BA 40)
 - 8 springs
 - 2 x 25 m joint reinforcement tape, self-adhesive
 - 5 pieces wedi 610, adhesive sealant

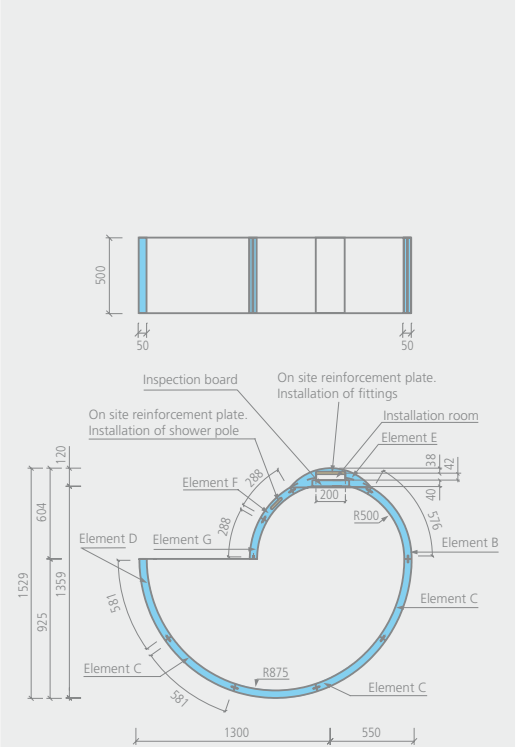
- m**² Fundo Nautilo *libero*, designer shower:
- Inside wall: approx. 10.24 m²
 - Outside wall: approx. 11.50 m²
 - Floor: approx. 1.60 m²
- Extension collar:**
- Inside wall: approx. 2.20 m²
 - Outside wall: approx. 2.50 m²

Technical drawings

Fundo Nautilo *libero*, designer shower



Fundo Nautilo *libero*, extension collar

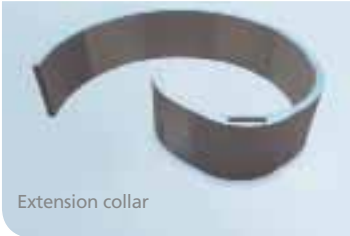


Drain included in price! Please select a suitable drain from page 36.

Fundo Nautilo *libero* | designer shower, left entry



Fundo Nautilo *libero*, designer shower, left entry



Extension collar

Description	Height	Packing unit	Order no.
Fundo Nautilo <i>libero</i> , designer shower, left entry	2050 mm	1 unit	07-37-50/100
Fundo Nautilo, floor element, left entry	1890 x 1515 mm (LxW)	1 unit	07-37-36/065
+ Options			
Extension collar	500 mm	1 unit	04-17-08/051

! • The Fundo Nautilo *libero* can be positioned anywhere in the room. **👤** 2 x labour

👉 Fundo Nautilo *libero*, designer shower:

- 1 floor element, entry on the left
- 1 wall segment type "B"
- 4 wall segments type "C"
- 1 wall segment type "D"
- 1 wall segment type "E"
- (with reinforcement for fittings and shower head)
- 1 wall segment type "F"
- (with reinforcement for installing the shower rail)
- 1 wall segment type "G"
- 1 inspection board (BA 40)
- 8 springs
- 2 x 25 m joint reinforcement tape, self-adhesive
- 5 pieces wedi 610, adhesive sealant

m² Fundo Nautilo *libero*, designer shower:

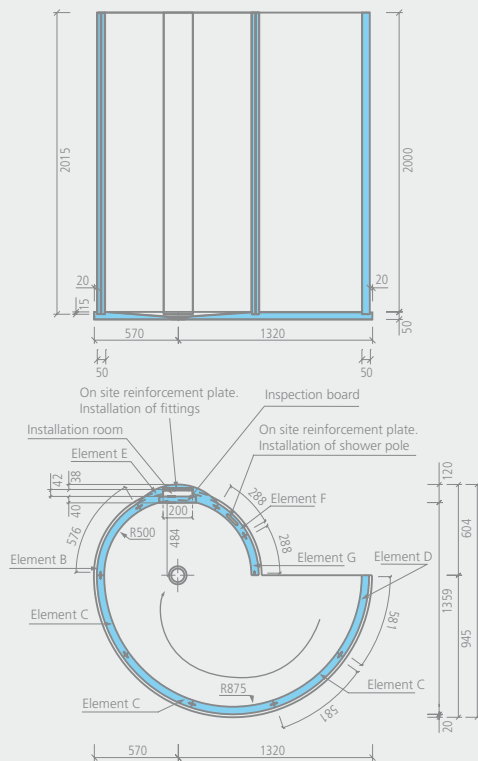
- Inside wall: approx. 10.24 m²
- Outside wall: approx. 11.50 m²
- Floor: approx. 1.60 m²

Extension collar:

- Inside wall: approx. 2.20 m²
- Outside wall: approx. 2.50 m²

Technical drawings

Fundo Nautilo *libero*, designer shower



Fundo Nautilo *libero*, extension collar

