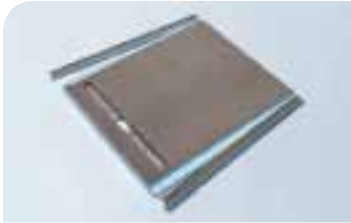


Fundo *Riolito* | floor element, with laterally integrated channel drain, square

Please note:
Matching drain (from P. 39),
profile (P. 29) and drain cover (P. 47).
Order now!



Fundo Riolito drain covers

Fundo Riolito floor element	Matching Riolito drain cover
Width	Length
900 mm	700 mm

Description

Fundo Riolito, floor element,
with laterally integrated channel drain, square

External dimensions:
Width x length x height

Channel
length

Order no.

900 x 900 x 50 mm

700 mm

07-37-34/377

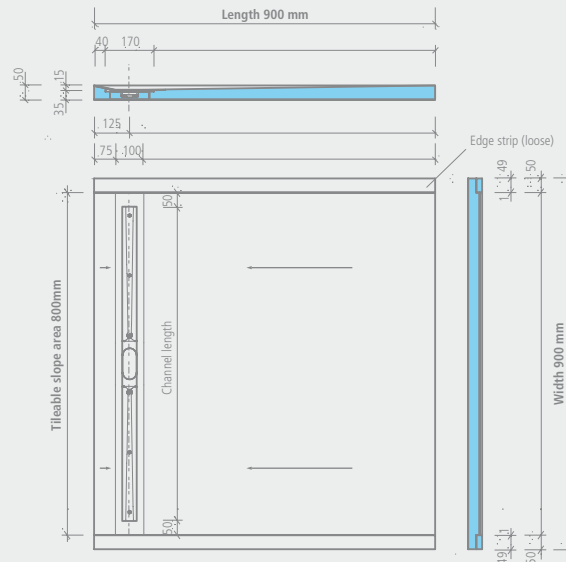
- ! The Fundo Riolito floor element has a 50 mm wide margin on both sides for contact with the screed on the same level. This margin can be cut off if necessary to create a direct connection to the wall.

The tileable slope area is 800 x 900 mm!

- One packing unit = 10 pieces; all Fundo floor elements combinable, individual purchase possible!
- Matching drains can be found from page 39.
- Matching drain covers can be found on page 47.
 - The Riolito standard cover includes a set of screws which are 19 mm long. The covers Riolito exclusive and Riolito tileable each contain a 15 mm long screw set.
 - If any other screws than those in the delivery are required you will find them on page 48.
- Cannot be combined with Fundo Primo Easy Sets!
- Matching slope edge profile available on page 29.

- 🔧 • 1 Fundo Riolito floor element
- 2 screed connection strips
- 1 wedi 610, adhesive sealant
- 📐 • Fundo Riolito, floor element:
 - 900 x 900 mm: approx. 0.72 m²

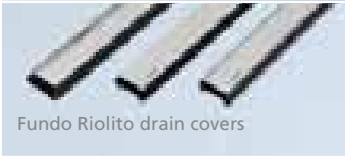
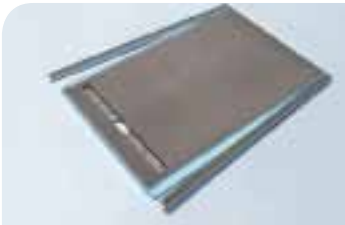
Technical drawings



Fundo special floor elements

Please note:
Matching drain (from P. 39),
profile (P. 29) and drain cover (P. 47).
Order now!

Fundo *Riolito* | floor element, with laterally integrated channel drain, rectangular



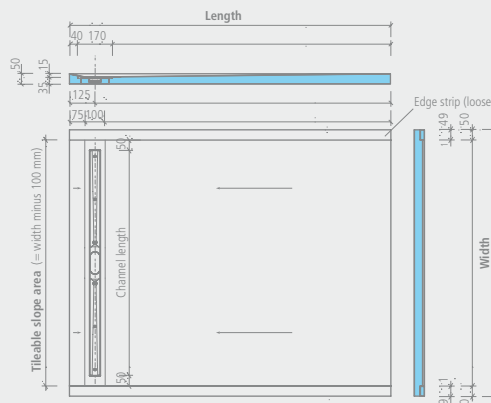
Fundo Riolito floor element Width	Matching Riolito drain cover Length
900 mm	700 mm
1000 mm	800 mm
1100 mm	900 mm
1300 mm	1100 mm

Description	External dimensions: Width x length x height	Channel length	Order no.
Fundo Riolito, floor element, with laterally integrated channel drain, rectangular	900 x 1200 x 50 mm	700 mm	07-37-34/173
Fundo Riolito, floor element, with laterally integrated channel drain, rectangular	1000 x 900 x 50 mm	800 mm	07-37-34/270
Fundo Riolito, floor element, with laterally integrated channel drain, rectangular	1000 x 1200 x 50 mm	800 mm	07-37-34/278
Fundo Riolito, floor element, with laterally integrated channel drain, rectangular	1100 x 900 x 50 mm	900 mm	07-37-34/132
Fundo Riolito, floor element, with laterally integrated channel drain, rectangular	1100 x 1200 x 50 mm	900 mm	07-37-34/177
Fundo Riolito, floor element, with laterally integrated channel drain, rectangular	1300 x 900 x 50 mm	1100 mm	07-37-34/178
Fundo Riolito, floor element, with laterally integrated channel drain, rectangular	1300 x 1200 x 50 mm	1100 mm	07-37-34/271

- ! The Fundo Riolito floor element has a 50 mm wide margin on both sides for an equally high contact with the screed. This margin can be cut off if necessary to create a direct connection to the wall. The tileable slope area is respectively 100 mm less than the overall width!
- One packing unit = 10 pieces; all Fundo floor elements combinable, individual purchase possible!
- Matching drains can be found from page 39.
- Matching drain covers can be found on page 47.
 - The Riolito standard cover includes a set of screws which are 19 mm long. The covers Riolito exclusive and Riolito tileable each contain a 15 mm long screw set.
 - If any other screws than those in the delivery are required, you will find them on page 48.
- Cannot be combined with Fundo Primo Easy Sets!
- Matching slope edge profile available on page 29.

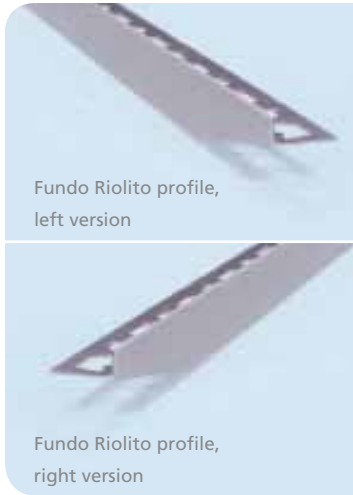
- 📦 • 1 Fundo Riolito Floor element
 - 2 screed connection strips
 - 1 wedi 610, adhesive sealant
- 📏 **Fundo Riolito, floor element:**
- 900 x 1200 mm: approx. 1.08 m²
 - 1000 x 900 mm: approx. 0.90 m²
 - 1000 x 1200 mm: approx. 1.20 m²
 - 1100 x 900 mm: approx. 0.99 m²
 - 1100 x 1200 mm: approx. 1.32 m²
 - 1300 x 900 mm: approx. 1.17 m²
 - 1300 x 1200 mm: approx. 1.56 m²

Technical drawings



NEW Fundo *Riolito* profile | slope wedge, left/right version, stainless steel V₂A

Suitable for:
Fundo Riolito
floor elements



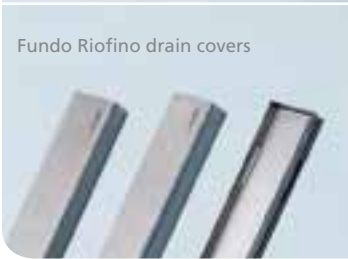
Description	Thickness	Length	Packing unit / box	Order no.
Fundo Riolito profile, slope wedge, left version, stainless steel V ₂ A	8,0 mm	1200 mm	1 unit	10-61-00/008
Fundo Riolito profile, slope wedge, left version, stainless steel V ₂ A	10,0 mm	1200 mm	1 unit	10-61-00/010
Fundo Riolito profile, slope wedge, left version, stainless steel V ₂ A	12,5 mm	1200 mm	1 unit	10-61-00/012
Fundo Riolito profile, slope wedge, right version, stainless steel V ₂ A	8,0 mm	1200 mm	1 unit	10-61-10/008
Fundo Riolito profile, slope wedge, right version, stainless steel V ₂ A	10,0 mm	1200 mm	1 unit	10-61-10/010
Fundo Riolito profile, slope wedge, right version, stainless steel V ₂ A	12,5 mm	1200 mm	1 unit	10-61-10/012

i • The Fundo Riolito profile is suitable for Fundo Riolito floor elements with lengths of 1200 mm and 900 mm.

Fundo special floor elements

Fundo *Riofino* | floor element, with central channel drain, square

Please note:
Matching drain (from P. 39) and drain cover (P. 48).
Order now!



Description

Fundo Riofino, floor element, with central channel drain, square

Fundo Riofino, floor element with central channel drain, square

Fundo Riofino, floor element with central channel drain, square

Length x width x height

Channel length

Order no.

900 x 900 x 50 mm

300 mm

07-37-34/170

1000 x 1000 x 50 mm

300 mm

07-37-34/131

1200 x 1200 x 50 mm

300 mm

07-37-34/171

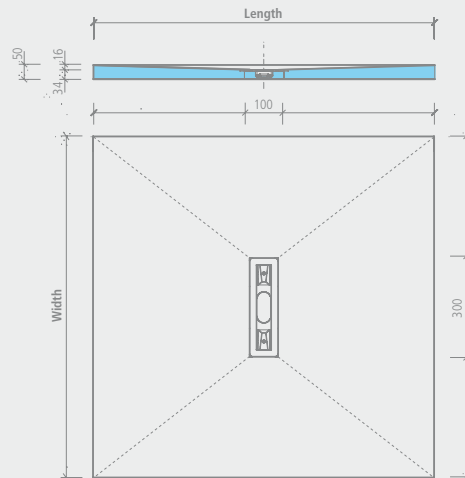
- ! • One packing unit = 10 pieces; all Fundo floor elements combinable, individual purchase possible!
- Matching drains can be found from page 39.
- Matching drain covers can be found on page 48.
 - The Riofino standard cover includes a set of screws which are 19 mm long. The covers Riofino exclusive and Riofino tileable each contain a 15 mm long screw set.
 - If any other screws than those in the delivery are required you will find them on page 48.
- Cannot be combined with Fundo Primo Easy Sets!

📦 • 1 Fundo Riofino floor element

📐 Fundo Riofino, floor element:

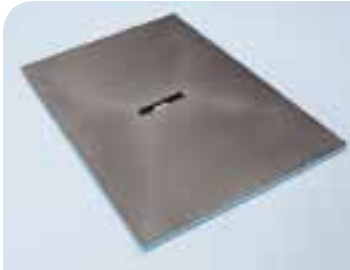
- 900 x 900 mm: approx. 0.81 m²
- 1000 x 1000 mm: approx. 1.00 m²
- 1200 x 1200 mm: approx. 1.44 m²

Technical drawings



Fundo *Riofino* | floor element, with central channel drain, rectangular

Please note:
Matching drain (from
P. 39) and drain cover (P. 48).
Order now!



Fundo Riofino drain covers

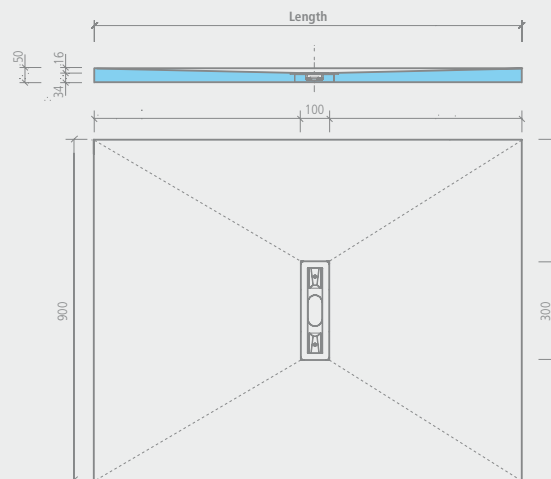


Description	Length x width x height	Channel length	Order no.
Fundo Riofino, floor element with central channel drain, rectangular	1200 x 900 x 50 mm	300 mm	07-37-34/174
Fundo Riofino, floor element with central channel drain, rectangular	1800 x 900 x 50 mm	300 mm	07-37-34/580

- ! • One packing unit = 10 pieces; all Fundo floor elements combinable, individual purchase possible!
- Matching drains can be found from page 39.
- Matching drain covers can be found on page 48.
 - The Riofino standard cover includes a set of screws which are 19 mm long. The covers Riofino exclusive and Riofino tileable each contain a 15 mm long screw set.
 - If any other screws than those in the delivery are required you will find them on page 48.
- Cannot be combined with Fundo Primo Easy Sets!

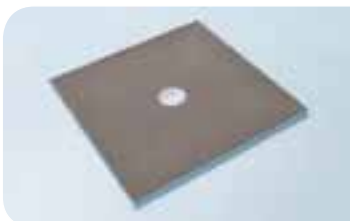
- 1 Fundo Riofino floor element
- m² Fundo Riofino, floor element:
 - 1200 x 900 mm: approx. 1.08 m²
 - 1800 x 900 mm: approx. 1.62 m²

Technical drawings



Fundo *Solso* | floor element for PVC floor covering, square, for central drain

Please note:
Matching drain
(from page 41).
Order now!



Description	Length x width x thickness	Order no.
Fundo Solso, floor element for PVC floor covering, square, for central drain	900 x 900 x 40 mm	07-37-38/170
Fundo Solso, floor element for PVC floor covering, square, for central drain	1200 x 1200 x 40 mm	07-37-38/171

- ! • One packing unit = 10 pieces; all Fundo floor elements combinable, individual purchase possible!
- Matching drains can be found from page 41.

- m² Fundo Solso, floor element:
 - 900 x 900 mm: approx. 0.80 m²
 - 1200 x 1200 mm: approx. 1.44 m²